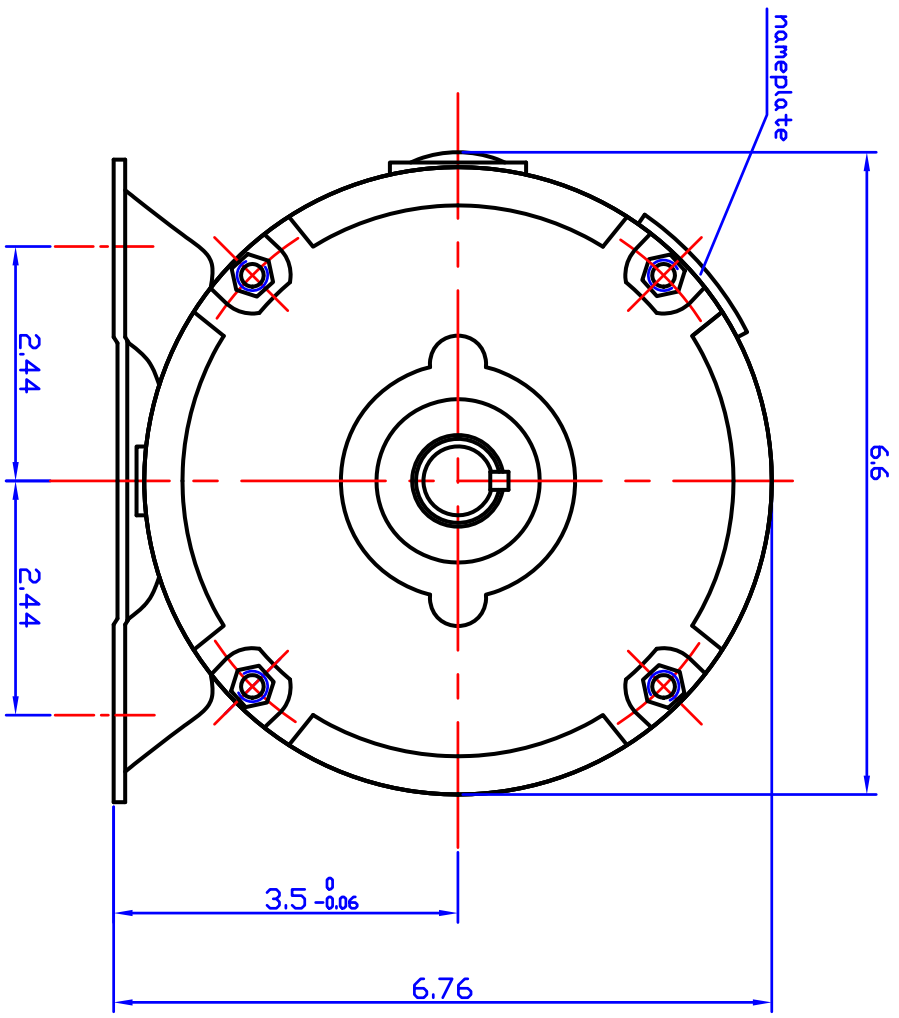
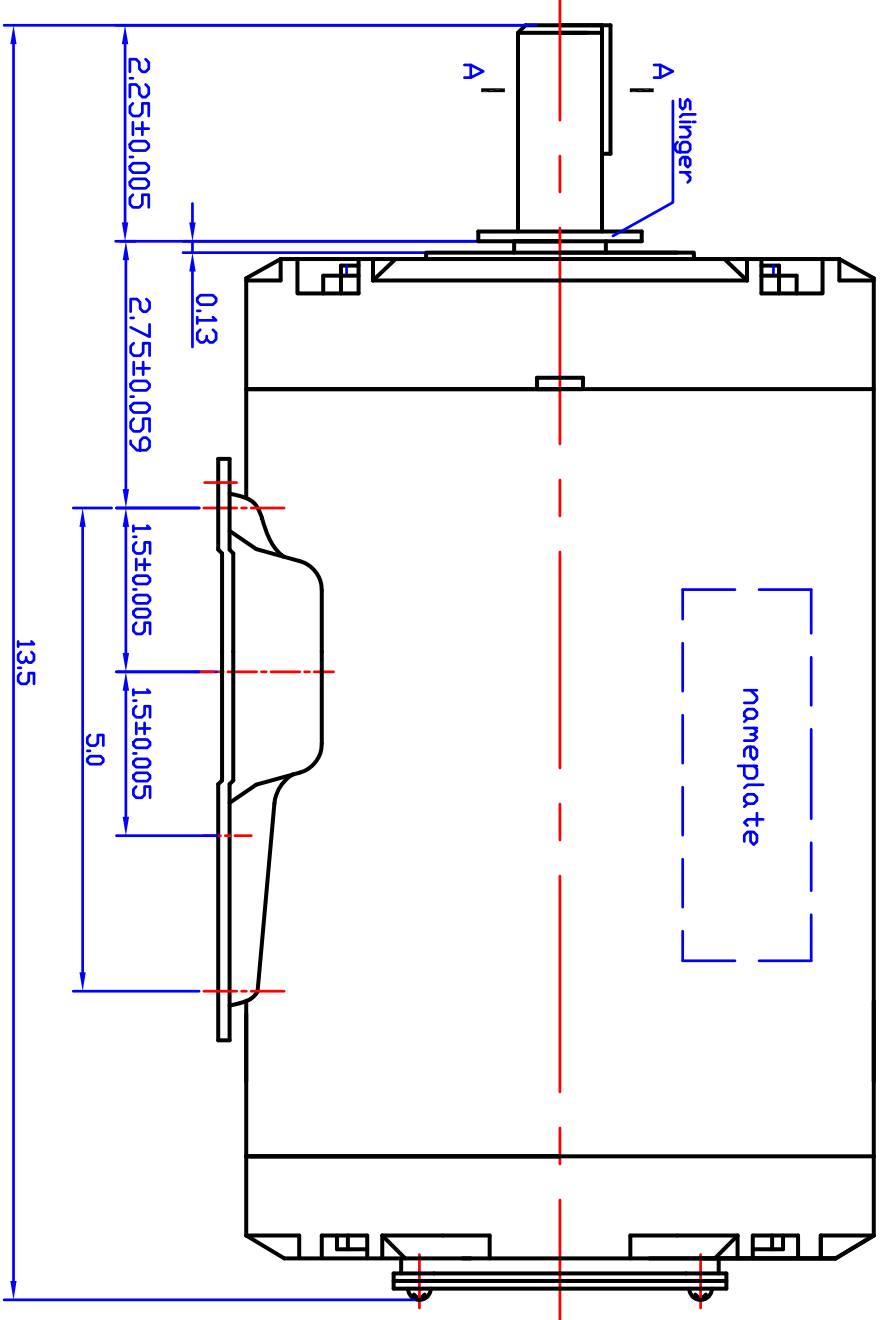
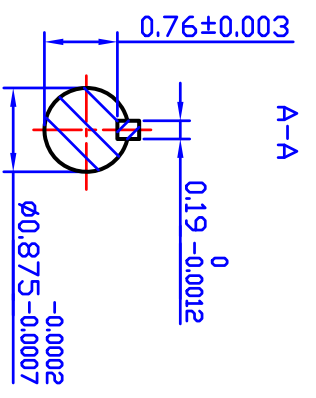


REV	ECO	REV BY	DATE	APPD	DATE
-----	-----	--------	------	------	------



IND #	AG-I MODEL No.	FRAME	HP	VOLTS	HZ	RPM	PH	S.F.	INSL.	Thermally Protector	endclose	DUTY
TC02A	T204CA7BAP7	145T	2	575	60	1750	3	1.15	F	CWJ50KR	TEAD	CDNT.

IND#	TC02A	REF. NO.	T204CA7BAP7	AG-I	TEAD
HP 2.0	60	RPM	1750	P. F.	78
PH 3	AUTO PROTECTED	CWJ50KR	EFF%	86.5	SFA
FRAME 145T	DUTY	CONT.	DES.		SFA
TYPE T	MAX. AMB. °C	40	S. F. 1.15		
DATE	INS. CLASS	F	CODE		

AG-I Motor Tec Inc., East Garrafaka, ON, Canada L9W 7L8

CONNECT LEAD L1-L2-L3 TO LINE TO REVERSE ROTATION INTERCHANGE ANY TWO LINE LEADS

L1 L2 L3

AG-I MOTORTEC (SHA) Made in China

DR BY: Xiaoli Ma

APPD:

FIRST ANGLE PROJECTION

EDS DATE 4.17.2024

VERSION

AG-I MOTORTEC INC.,

DESCRIPTION

TC02A T204CA7BAP7 OUTLINE

SIZE A3

DWG NO

SCALE 1:2

CONFIDENTIAL PROPERTY OF GW ELECTRIC (SHANGHAI) CORPORATION AND ARE NOT TO BE DISCLOSED, DUPLICATED, OR OTHERWISE USED WITHOUT THE WRITTEN CONSENT OF GW ELECTRIC (SHANGHAI) CORPORATION, OR ITS AGENT, AG-I MOTORTEC INC.

- ALL RIGHTS RESERVED

SHEET