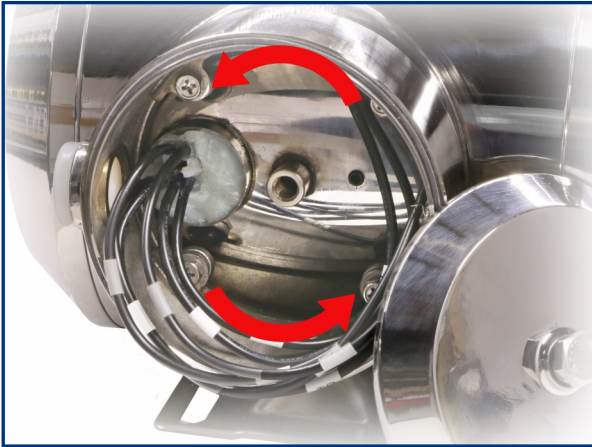


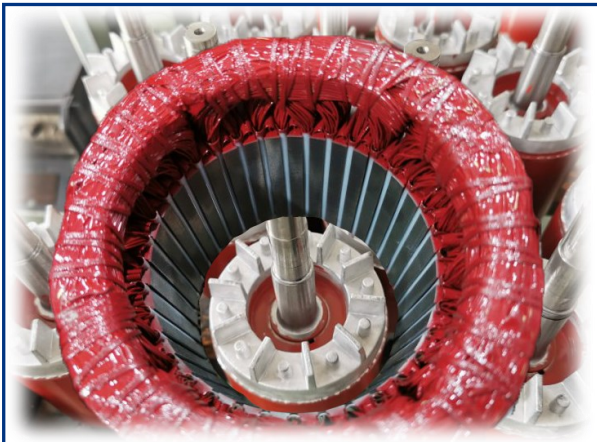


STAINLESS STEEL- Washdown IP69K - 1/3 HP to 20 HP



- Welded conduit box rotatable 360° in 90° increments
- “Mirror-polished” - **Easy to clean** Ra1 (N1) finish
- Food-grade hi-temperature Silicon O-Rings on conduit box, thru-bolts, & endbells

- KFM Hi-Temp, chemical resistant double-lip seals both ends (TEFC)
- Potted lead entry from conduit box to motor
- Premium double-sealed bearings with moisture resistant high temperature grease



- Oil and moisture resistant coating on windings and rotor
- 575V. models have additional coil-to-coil insulation
- **Inverter**-rated magnet wire with Class F insulation & Class B temperature rise



- TENV & TEFC designs available to 1.0 HP 56C
- TEFC available to 20 HP 256TC

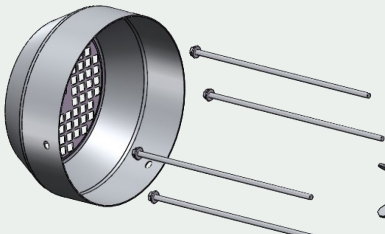
AG-I Inverter Ready
*NEMA MG1 Part 31

* Meets NEMA MG1 Part 31. Use of a closed-loop vector drive allows extended speed range for CT & VT applications.





STAINLESS STEEL- Washdown IP69K - 1/3 HP to 20 HP



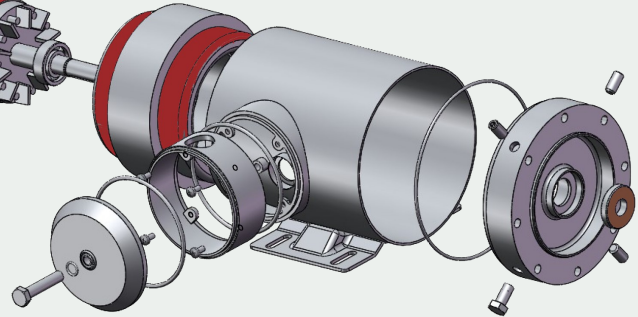
• **IP69K** Ingress Protection



• **304 stainless**

• **Stocked in 3600 & 1800 RPM**
Other speeds available.

• **C-Flange with feet, or**
C-Flange "round body"



• **Removeable stainless**
drain plugs (4)

• **Laser-Etched nameplate**

• **50Hz rated at 1.0 S.F.**

		PREMIUM STAINLESS WASHDOWN MOTOR - Inverter Duty						
MODEL	SS344UF		SER#	ABCDXXXX		IP 69K	TEMP RISE B	
HP	0.75	FR 56C	ENCL	TEFC	TYPE	VFD 10:1CT	20:1VT	
RPM	1780	1470	DESIGN	B	INS.CL.	LOW VOLTAGE HIGH VOLTAGE		
VOLTS	208-230/460		DE BRG	6203ZZ	CODE			
AMPS	1.97-1.8/0.9		ODE BRG	6203ZZ	P.F.	Switch L1 and L2 to reverse rotation		
HZ	60	50	NOM.EFF FL	84.17%, 3/4 83.15%		Assembled In Canada		
S.F.	1.15	1.0	DUTY	CONT / S1	AMB.	40°C		
S.F. 1.0 at 208V		Suitable for field wiring						
AG-I MotorTec Inc.			www.ag-industrie.com					



Visit our website @ www.ag-industrie.com



Ventes au Québec
Hugues Belanger
Cell 438-395-1541

AG-I MotorTec Inc.

Ontario Sales
519-941-6832