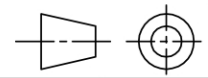
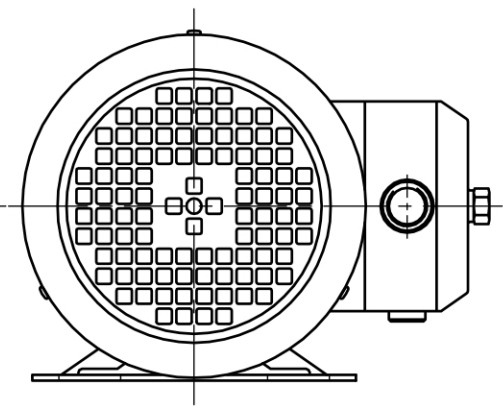
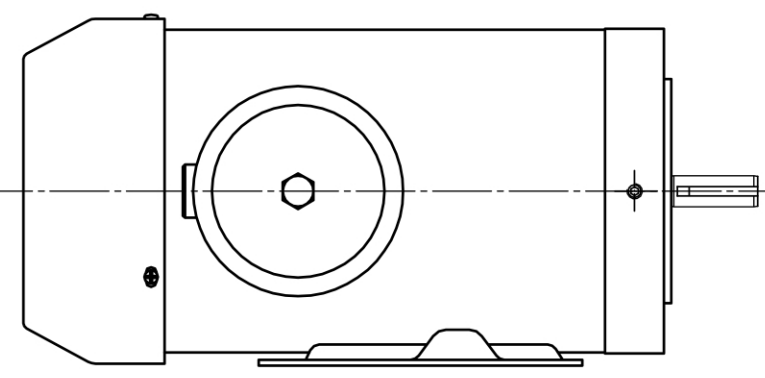
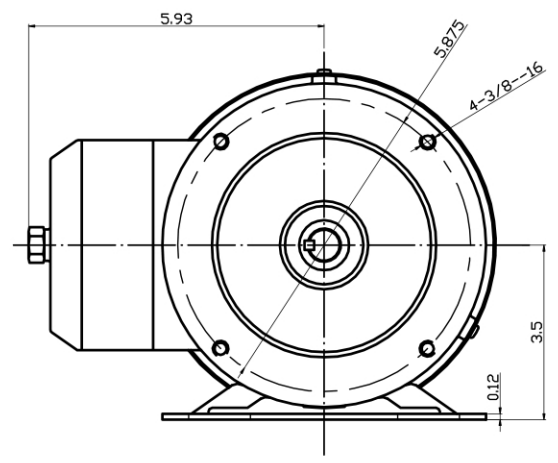
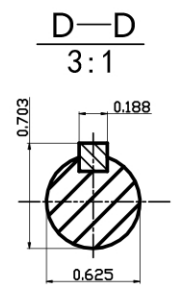
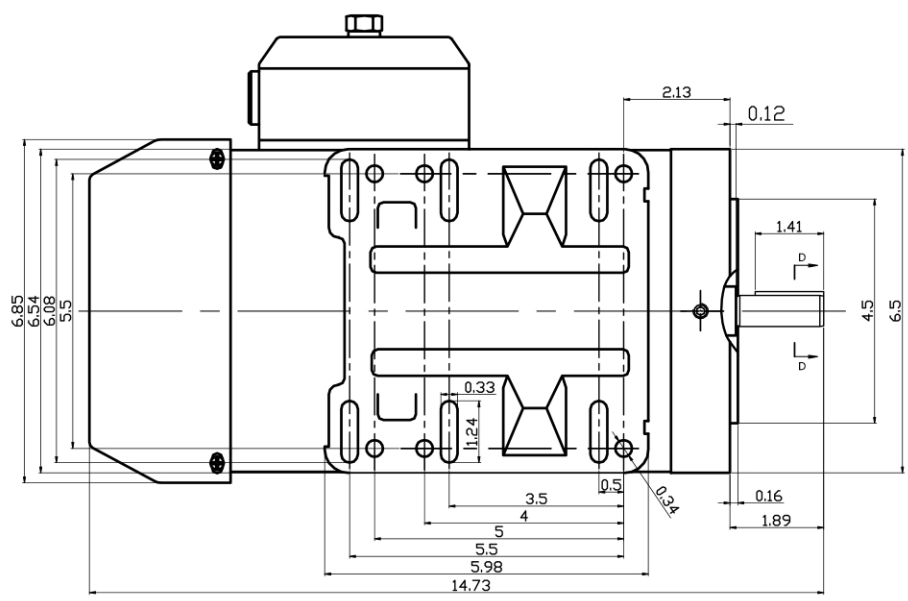


3.0HP IP69K 3 Phase  
3600 & 1800 RPM  
56HC, TEFC



CUSTOMER  
SS32CFH  
SS22UFH



ZONE	REV	DESCRIPTION	DATE	APPROVED	APP BY:	SIZE
			04/20		DESIGN	B