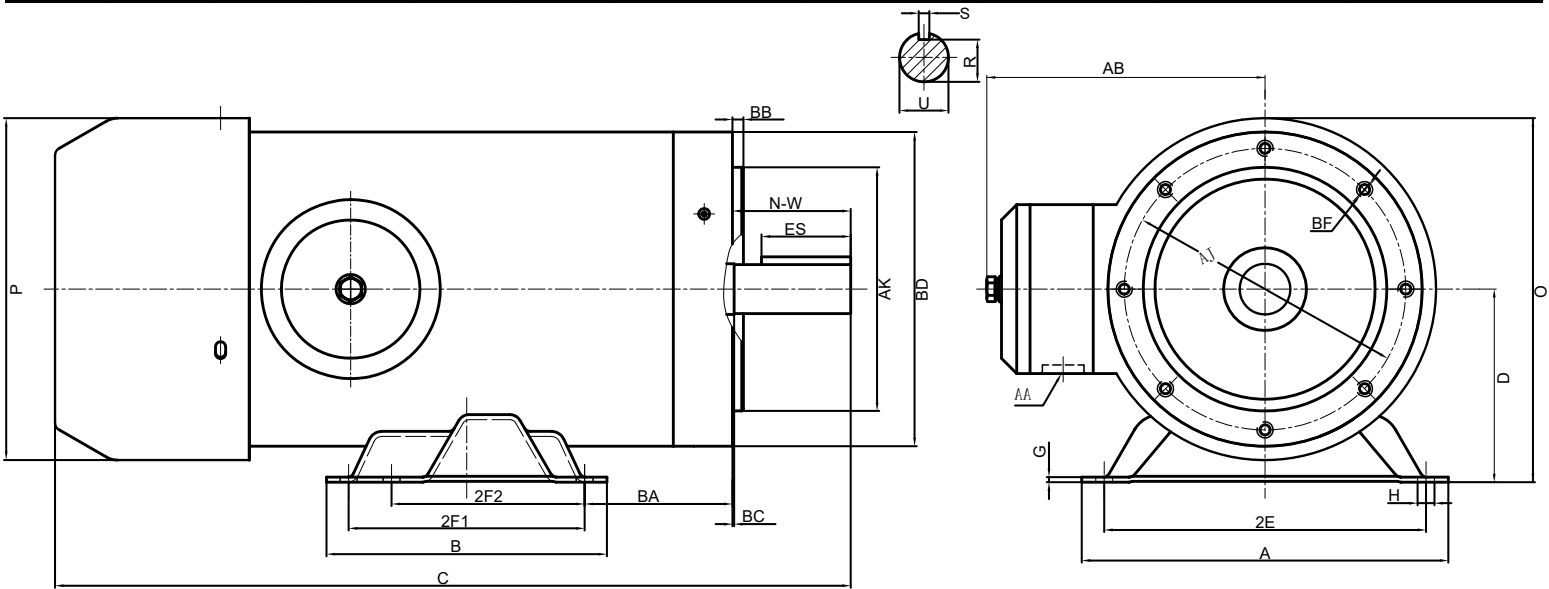


STAINLESS STEEL THREE PHASE MOTOR

Model SS22UF

| | | | | | | | |
|---------|--------------------|----------|-------------|----------------|----------------------------|---------------|------------------------|
| Voltage | <u>208-230/460</u> | Hz | <u>60</u> | Shaft Material | <u>304 Stainless Steel</u> | Design | <u>B</u> |
| Phase | <u>3</u> | Encl | <u>TEFC</u> | Ambient | <u>40°C</u> | Duty Cycle | <u>S1</u> |
| IP | <u>69</u> | KVA | <u>L</u> | Altitude | <u>3300FT</u> | Rotation | <u>CW/CCW</u> |
| | | Ins. Cl. | <u>F</u> | Mounting | <u>F1</u> | Inverter Duty | <u>10:1 CT 20:1 VT</u> |

| HP | RPM | S.F. | Frame | Amps 208-230/460 V | | Locked Rotor Amps | No Load Current | Lead / Connect | Moment of Inertia | Temp. Rise, °C |
|---------|--------|---------------|-------|--------------------|------|----------------------|------------------------|---------------------|-----------------------|----------------|
| 2 | 3526 | 1.15 | 56HC | 6.06-5.48/2.74 | | 50/25 | 3.14/1.57 | 9 / Y | — | 80 |
| Bearing | | Efficiency, % | | Power Factor | | Rated Torque, lb.ft. | Locked Rotor Torque, % | Breakdown Torque, % | Max Time Locked Rotor | Weight, lbs |
| DE | ODE | FL | 3/4L | FL | 3/4L | | | | | |
| 6205ZZ | 6205ZZ | 88.46 | 88.02 | 0.86 | 0.79 | 2.24 | 250 | 350 | 18 SEC | 47 |



Dimensions in inches

| A | B | C | D | G | H | O | P | AB |
|-----------------|-------|-------|----------|------|------|-------|------|--------|
| 6.5 | 6.5 | 14.12 | 3.5 | 0.12 | 0.34 | 6.73 | 6.85 | 5.93 |
| R | S | AK | BD | BB | BC | AJ | AA | BF |
| 0.517 | 0.188 | 4.5 | 6.46 | 0.16 | 0.12 | 5.875 | 3/4 | 3/8-16 |
| SHAFT EXTENSION | | | MOUNTING | | | | | |
| N-W | U | ES | 2E | 2F1 | 2F2 | BA | | |
| 1.88 | 0.625 | 1.41 | 5.5 | 5 | 3 | 2.75 | | |

| Rating for 50Hz Application | |
|-----------------------------|---------|
| HP | 1.5 |
| RPM | 2930 |
| Volt | 200/400 |
| S.F. | 1.0 |

