

# AG-I MotorTec Inc.

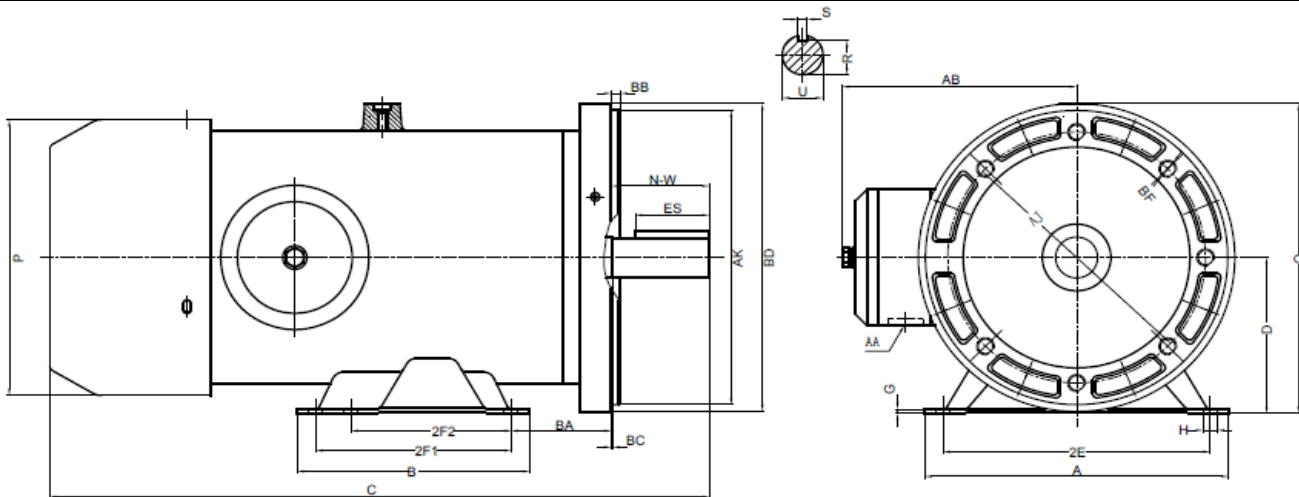


## STAINLESS STEEL THREE PHASE MOTOR

### SS154CF

Voltage <u>575</u>	Hz <u>60</u>	Shaft Material <u>304 Stainless Steel</u>	Design <u>B</u>
Phase <u>3</u>	Encl <u>TEFC</u>	Ambient <u>40°C</u>	Duty Cycle <u>S1</u>
IP <u>69K</u>	KVA <u>G</u>	Altitude <u>3300FT</u>	Rotation <u>CW/CCW</u>
	Ins. Cl. <u>F</u>	Mounting <u>F1</u>	Inverter Duty <u>10:1 CT 20:1 VT</u>

HP	RPM	S.F.	Frame	Amps 575V		Locked Rotor Amps	No Load Current	Lead / Connect	Full Load Temp. Rise	Temp. Rise, °C
15	1780	1.15	254TC	14.85		92.8	5.76	6 / Δ	—	80
Bearing		Efficiency, %		Power Factor		Rated Torque, lb.ft.	Locked Rotor Torque, %	Breakdown Torque, %	Max Time Locked Rotor	Weight, lbs
DE	ODE	FL	3/4L	FL	3/4L					
6309ZZ	6308ZZ	92.4	92.5	0.82	—	45	205	280	18 SEC	



Dimensions in inches

A	B	C	D	G	H	O	P	AB
11.18	9.45	22.73	6.25	0.20	0.53	13.30	13.30	9.60
R	S	AK	BD	BB	BC	AJ	AA	BF
1.416	0.375	8.50	11.80	0.25	0.25	7.25	1 1/2	1/2-13
SHAFT EXTENSION			MOUNTING					
N-W	U	ES	2E	2F1	2F2	BA		
4.00	1.625	2.91	10.00	—	8.25	4.75		

