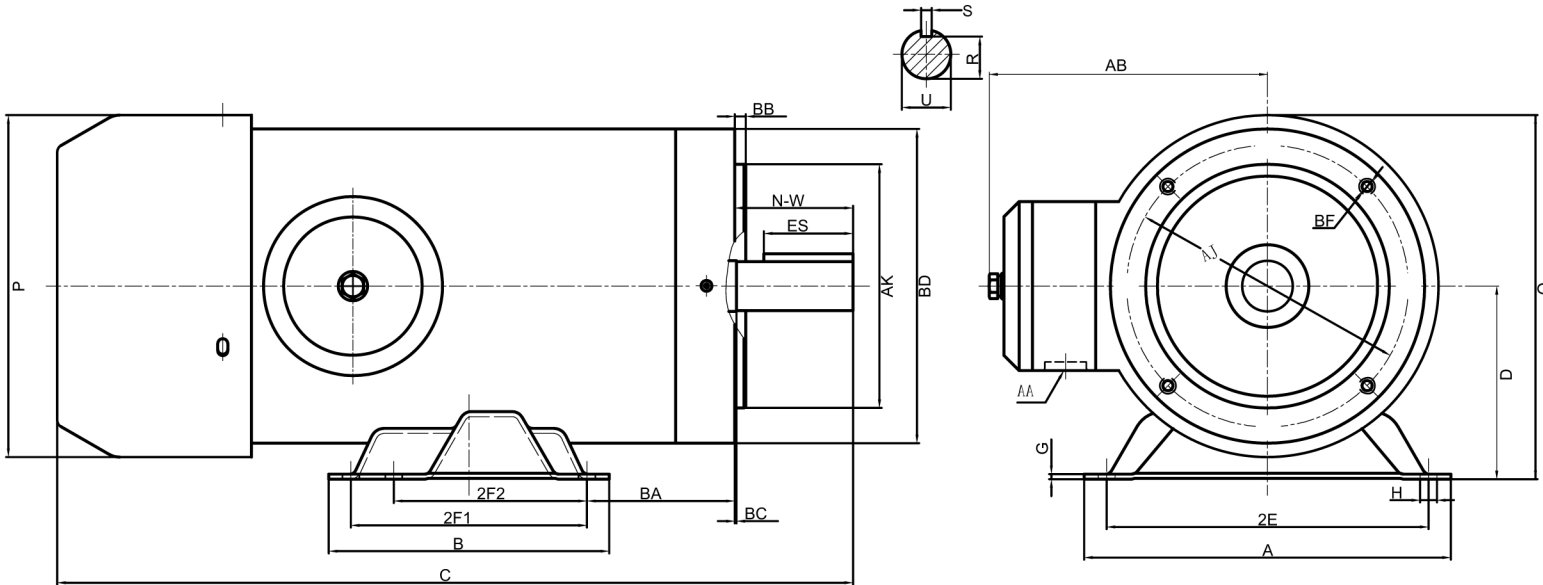


## STAINLESS STEEL THREE PHASE MOTOR

### Model SS1.54UF

Voltage <u>208-230/460</u>	Hz <u>60</u>	Shaft Material <u>304 Stainless Steel</u>	Design <u>B</u>
Phase <u>3</u>	Encl <u>TEFC</u>	Ambient <u>40°C</u>	Duty Cycle <u>S1</u>
IP <u>69</u>	KVA <u>M</u>	Altitude <u>3300FT</u>	Rotation <u>CW/CCW</u>
	Ins. Cl. <u>F</u>	Mounting <u>F1</u>	Inverter Duty <u>10:1 CT 20:1 VT</u>

HP	RPM	S.F.	Frame	Amps 208-230/460 V		Locked Rotor Amps	No Load Current	Lead / Connect	Moment of Inertia	Temp. Rise, °C
1.5	1770	1.15	56C	5.44-4.92/2.46		40/20	3.12/1.56	9 / Y	—	80
Bearing		Efficiency, %		Power Factor		Rated Torque, lb.ft.	Locked Rotor Torque, %	Breakdown Torque, %	Max Time Locked Rotor	Weight, lbs
DE	ODE	FL	3/4L	FL	3/4L					
6205ZZ	6205ZZ	86.61	86.28	0.69	0.6	4.51	270	360	20 SEC	43



Dimensions in inches

Rating for 50Hz Application	
HP	1.12
RPM	1450
Volt	200/400
S.F.	1.0

A	B	C	D	G	H	O	P	AB
6.5	6.5	13.34	3.5	0.12	0.34	6.73	6.85	5.93
R	S	AK	BD	BB	BC	AJ	AA	BF
0.517	0.188	4.5	6.46	0.16	0.12	5.875	3/4	3/8-16

SHAFT EXTENSION			MOUNTING			
N-W	U	ES	2E	2F1	2F2	BA
1.88	0.625	1.41	5.5	5	3	2.75

