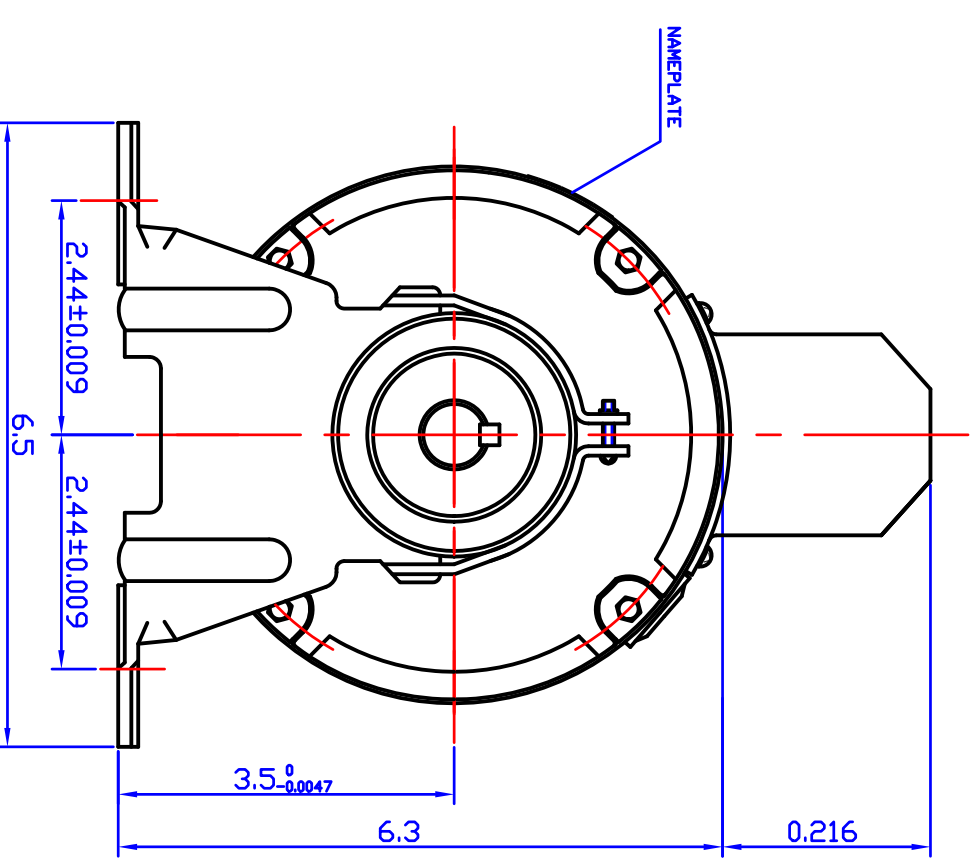
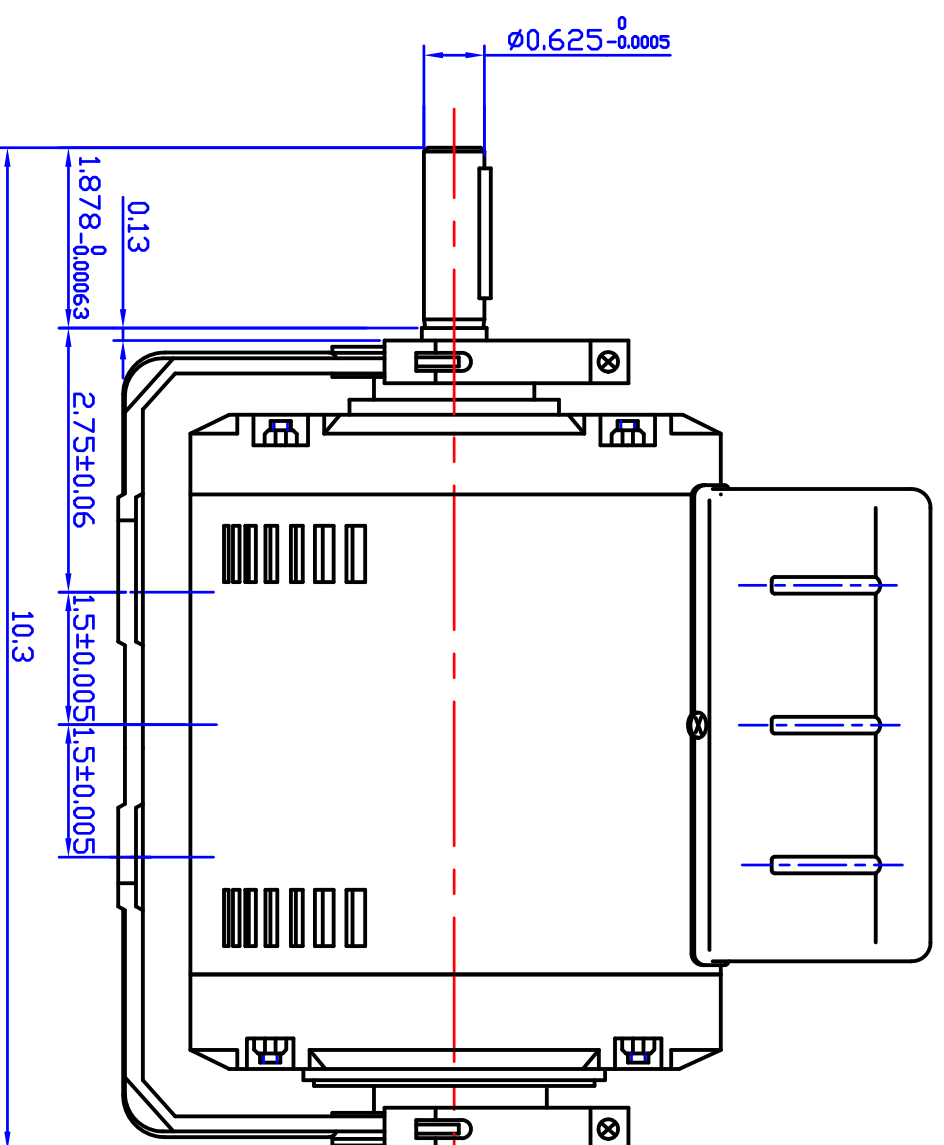


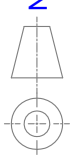
REV	ECO	REV BY	DATE	APPD	DATE
-----	-----	--------	------	------	------



AG-1 MODEL No.	FRAME	HP	VOLTS	HZ	RPM	PH	S.F.	INSL.	Thermally Protector	endclose	DUTY
R334LDSRM00	SS6	1/3	115	60	1625	1	10	F	CEJ63CA	DDP	60MIN.REV

DR BY: \_\_\_\_\_

APPD: \_\_\_\_\_

FIRST ANGLE PROJECTION 

EDS DATE \_\_\_\_\_

VERSION \_\_\_\_\_

DESCRIPTION: **AG-1** R231 R334LDSRM00

AG-1 MOTORTEC INC.,

CONFIDENTIAL PROPERTY OF GW ELECTRIC (SHANGHAI) CORPORATION AND ARE NOT TO BE DISCLOSED, DUPLICATED, OR OTHERWISE USED WITHOUT THE WRITTEN CONSENT OF GW ELECTRIC (SHANGHAI) CORPORATION, OR ITS AGENT, AG-1 MOTORTEC INC.

SCALE 1:2

SHEET \_\_\_\_\_