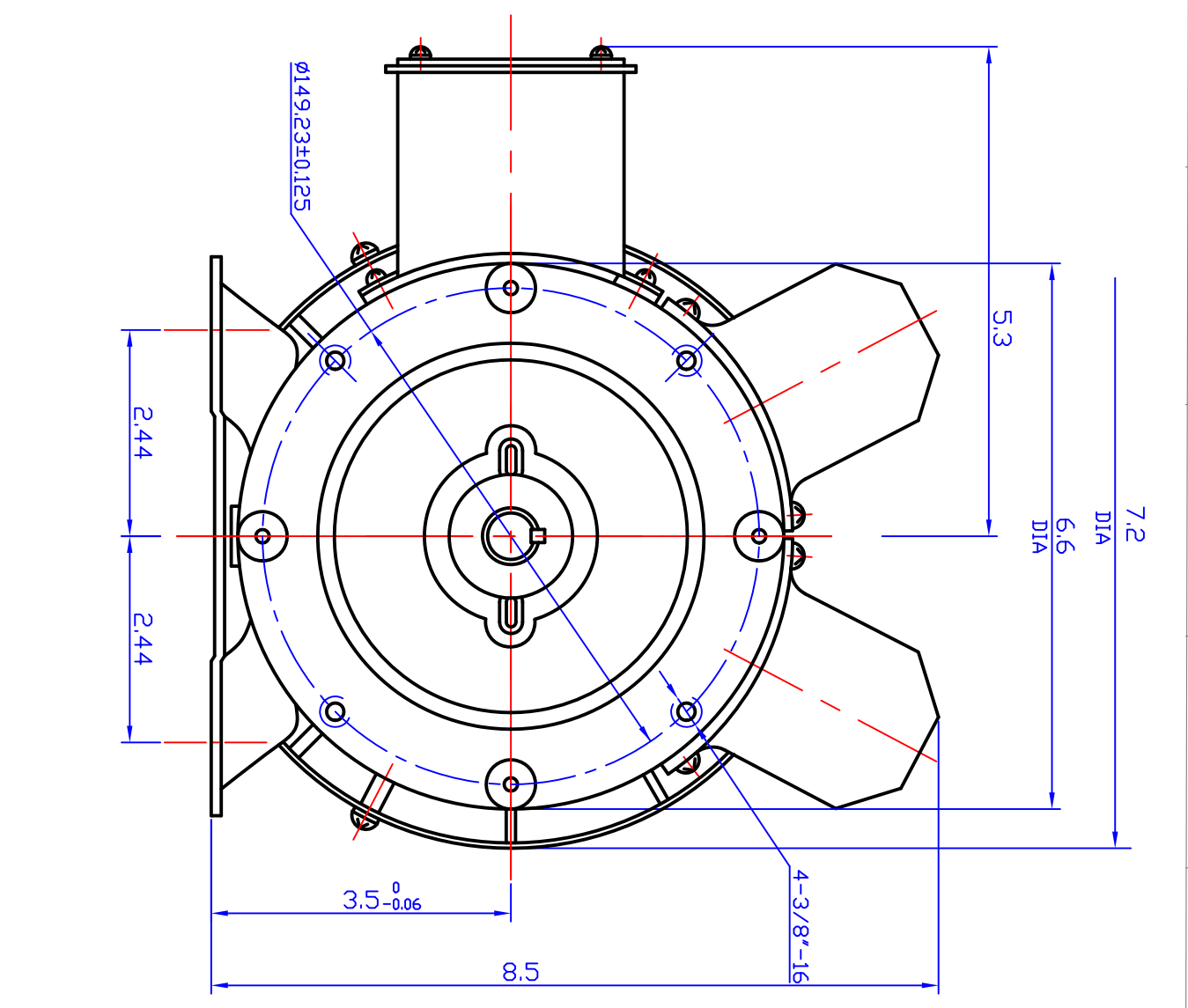
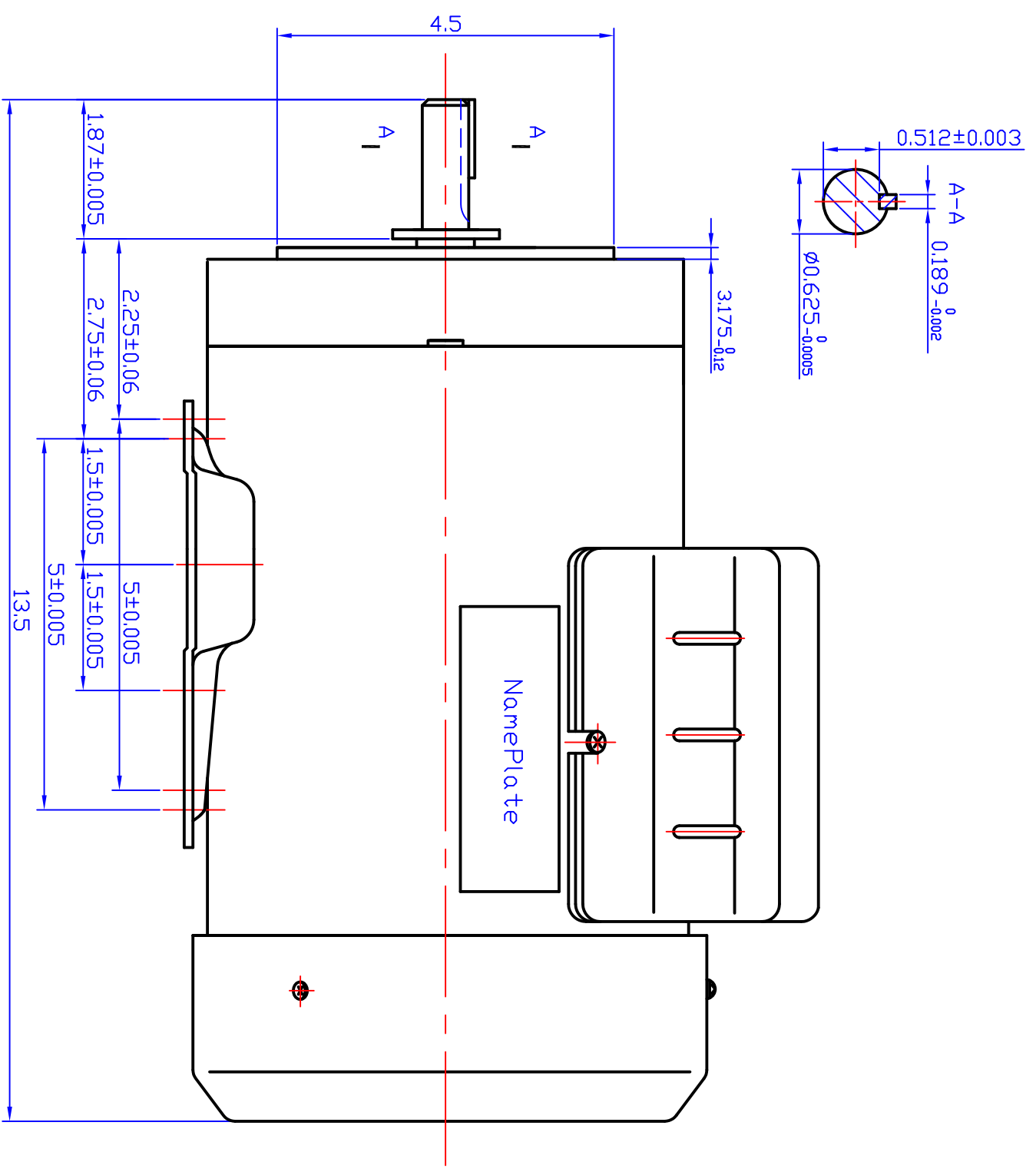
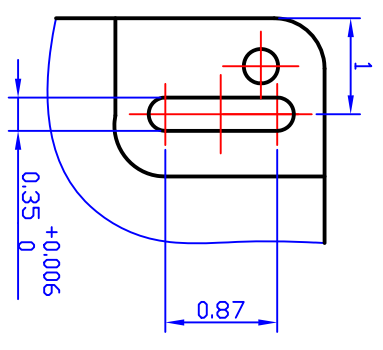


REV	ECO	REV BY	DATE	APPD	DATE



DIRECTION D

AG-I IND#	AG-I MODEL No.	FRAME	HP	VDLTS	HZ	RPM	PH	S.F.	INSL.	Thermally Protector	endclose	DUTY
K401C	K106DFSFNPS	56C	1.0	115/208-230	60	1160	1	1.0	F	NDNE	TEFC	CONT.



DR BY: _____

APPD: **Candy**

FIRST ANGLE PROJECTION

EDS DATE: **03/09/2023**

VERSION: _____

DESCRIPTION: **AG-I MOTORTEC INC.,**
K401C K106DFSFNPS

SIZE: **A3** DWG NO: _____

SCALE: **1:2**

SHEET: _____

CONFIDENTIAL PROPERTY OF GW ELECTRIC (SHANGHAI) CORPORATION AND ARE NOT TO BE DISCLOSED, DUPLICATED, OR OTHERWISE USED WITHOUT THE WRITTEN CONSENT OF GW ELECTRIC (SHANGHAI) CORPORATION, OR ITS AGENT, AG-I MOTORTEC INC.
- ALL RIGHTS RESERVED