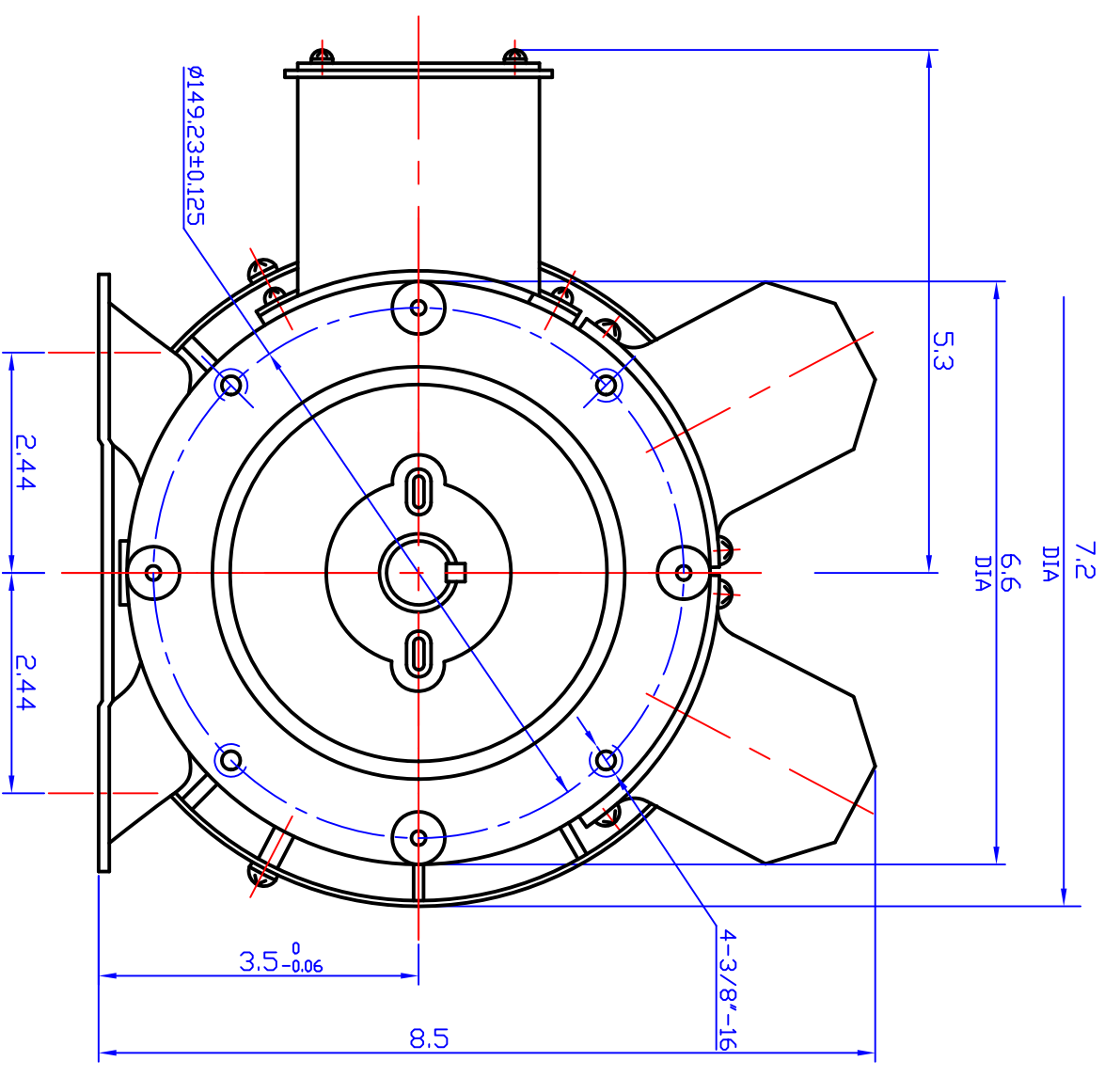
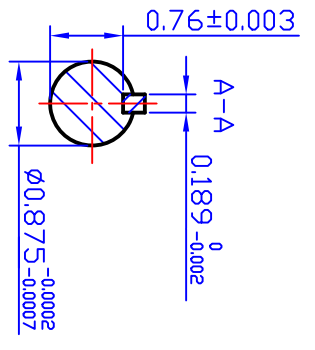
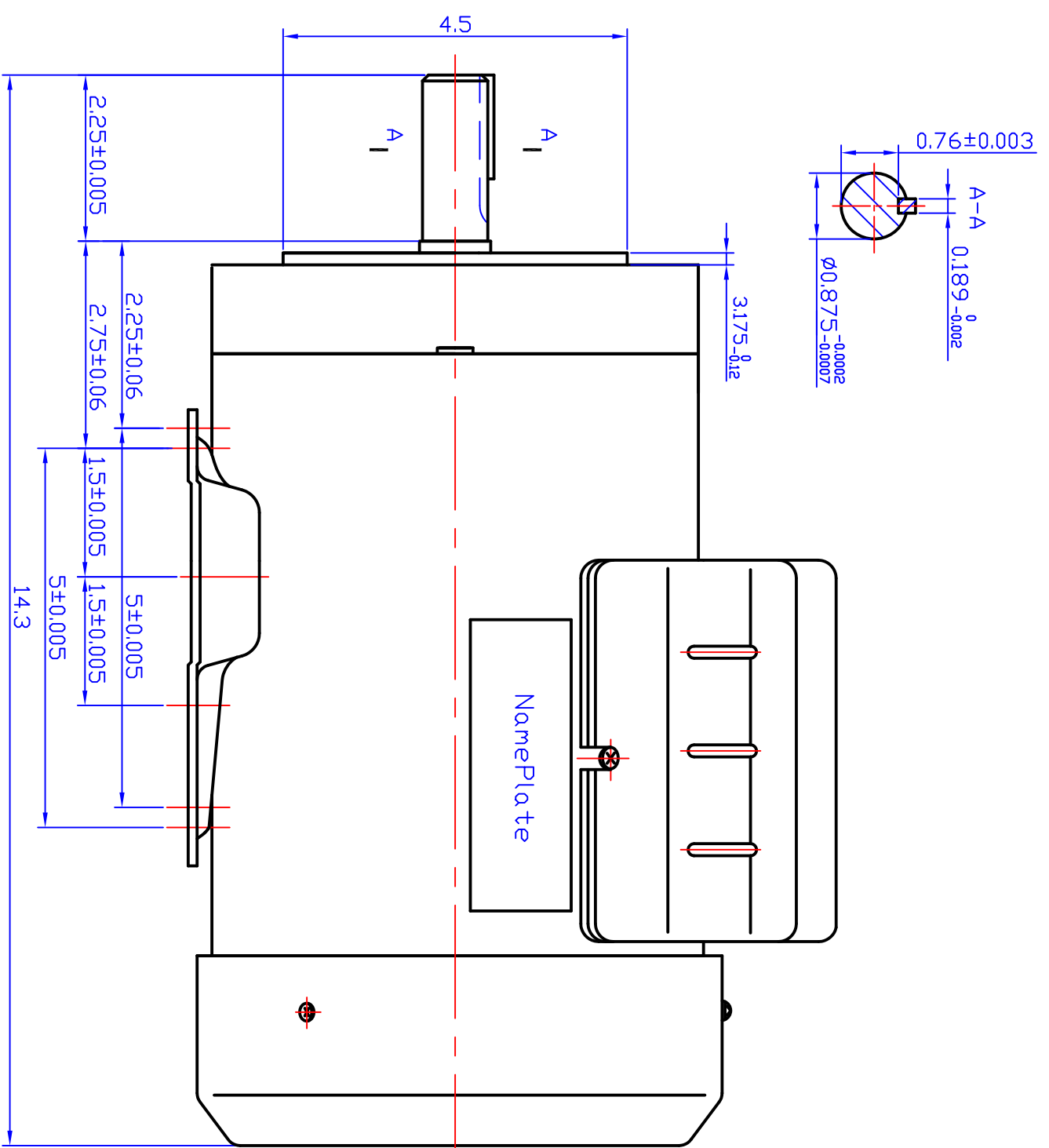
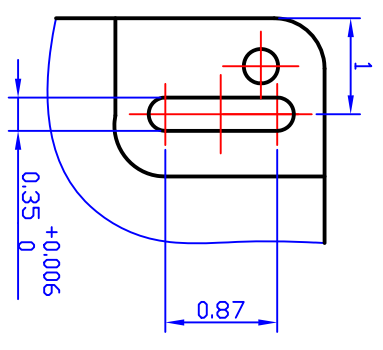


REV	ECO	REV BY	DATE	APPD	DATE



DIRECTION D



AG-I MODEL No.	FRAME	HP	VOLTS	HZ	RPM	PH	S.F.	INSL.	Thermally Protector	endclose	DUTY
K302IF7BN14	S6HCZ	3.0	230	60	3450	1	1.0	F	NDNE	TEFC	CONT.

DR BY: _____

APPD: **Candy**

FIRST ANGLE PROJECTION EDS DATE **03/08/2023** VERSION _____

DESCRIPTION: **AG-I** K341C K302IF7BN14

AG-I MOTORTEC INC.,

CONFIDENTIAL PROPERTY OF GW ELECTRIC (SHANGHAI) CORPORATION AND ARE NOT TO BE DISCLOSED, DUPLICATED, OR OTHERWISE USED WITHOUT THE WRITTEN CONSENT OF GW ELECTRIC (SHANGHAI) CORPORATION, OR ITS AGENT, AG-I MOTORTEC INC. - ALL RIGHTS RESERVED

SIZE: **A3** DWG NO: _____

SCALE: 1:2 SHEET _____