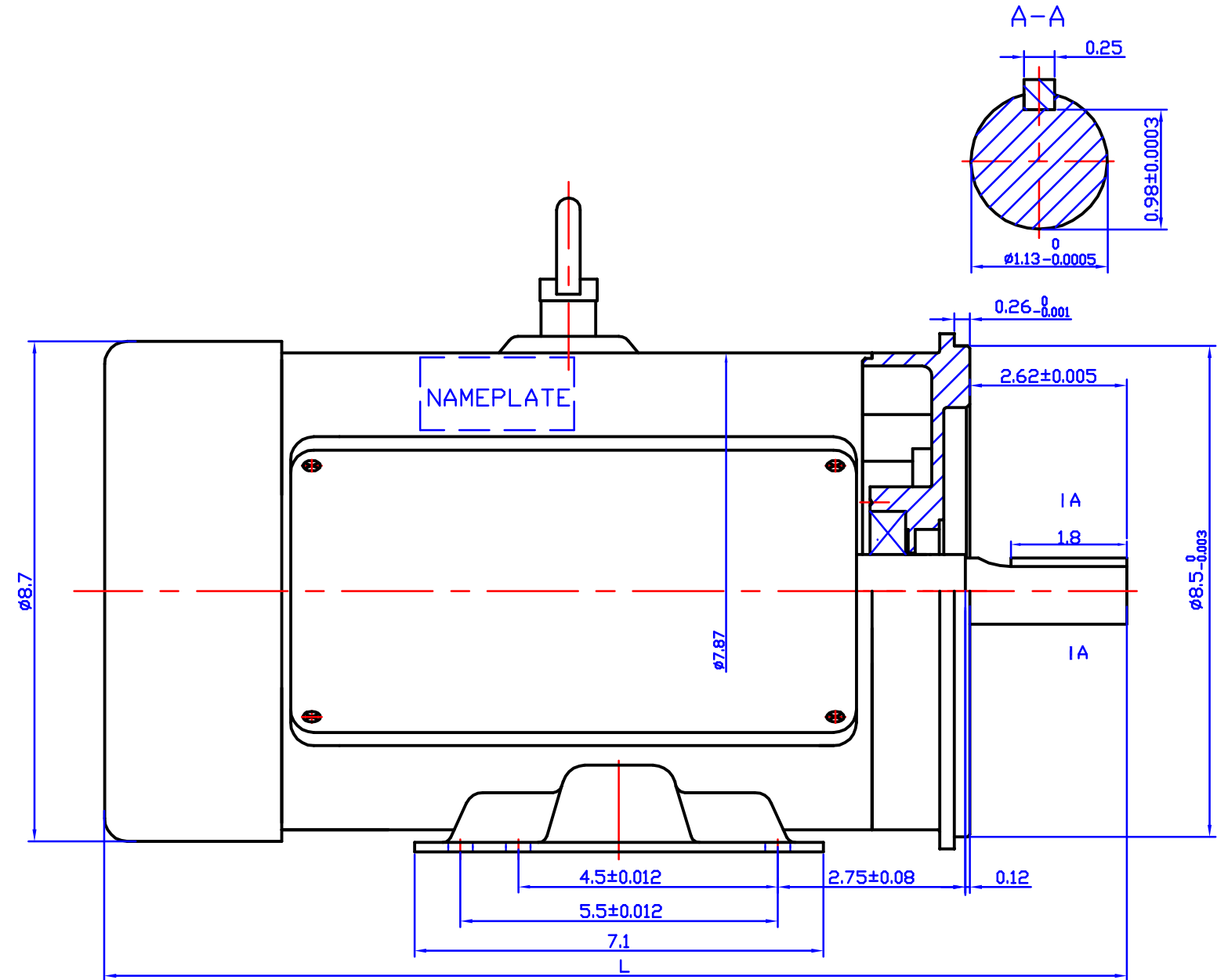
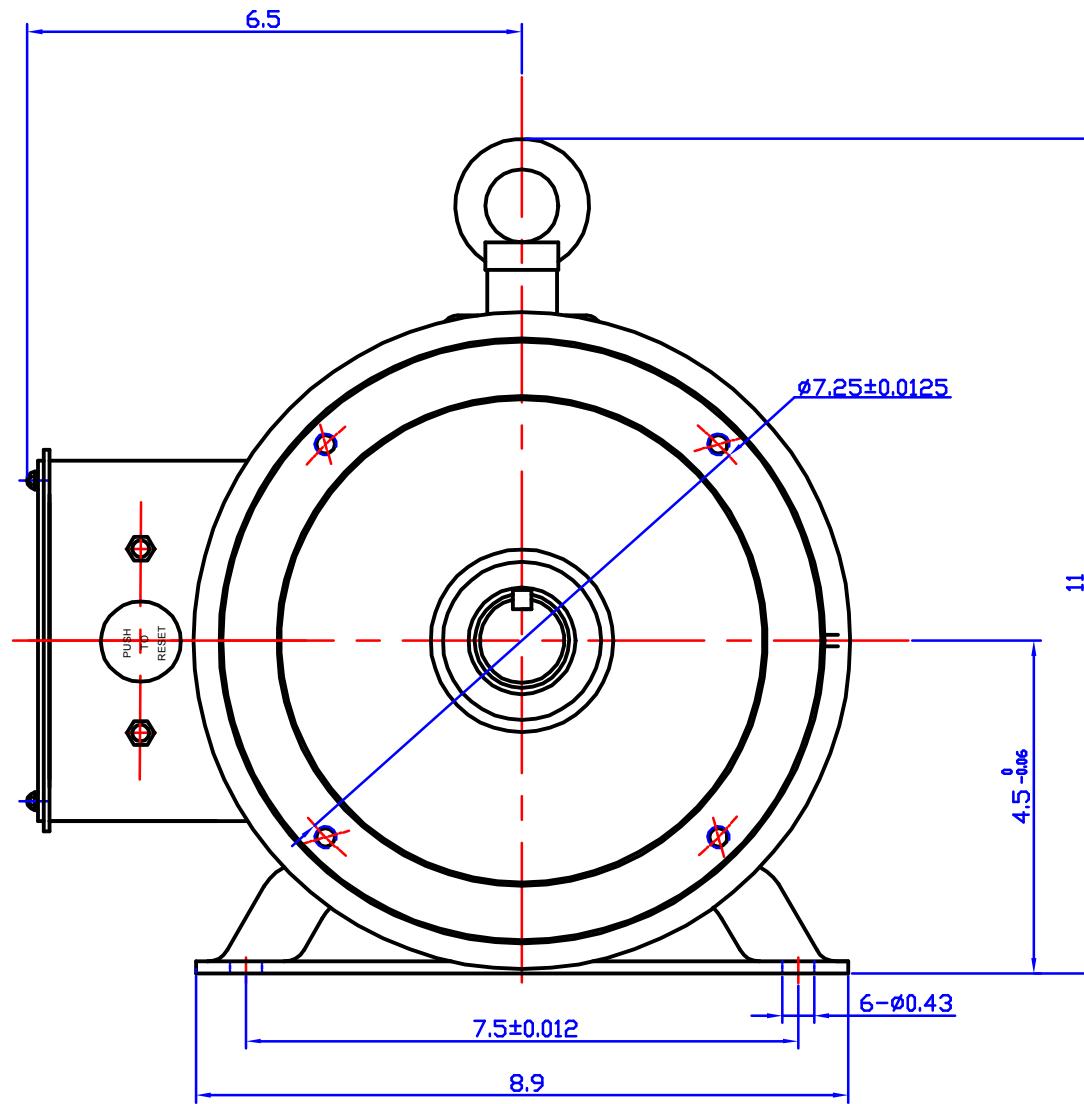


REV	ECO	REV BY	DATE	APPD	DATE



IND#	REF Number	FRAME	Pole	PH	HP	RPM	Hz	Volt	L	THERMALLY
K003C	K304HF9FM00	184TC	4	1	3.0	1725	60	208-230	18.6	MAN
K005C	K504IF9FM00	184TC	4	1	5.0	1725	60	230	19.8	MAN

DR BY:			AG-I MOTORTEC INC.,
APPD:			
FIRST ANGLE PROJECTION	EDS DATE VERSION	DESCRIPTION K003C K005C OUTLINE	
CONFIDENTIAL: THIS DRAWING AND ITS INFORMATION ARE THE EXCLUSIVE AND CONFIDENTIAL PROPERTY OF GW ELECTRIC (SHANGHAI) CORPORATION AND ARE NOT TO BE DISCLOSED, DUPLICATED, DISTRIBUTED OR OTHERWISE USED WITHOUT THE WRITTEN CONSENT OF GW ELECTRIC (SHANGHAI) CORPORATION. -ALL RIGHTS RESERVED.		SIZE A3	DWG NO
		SCALE	SHEET