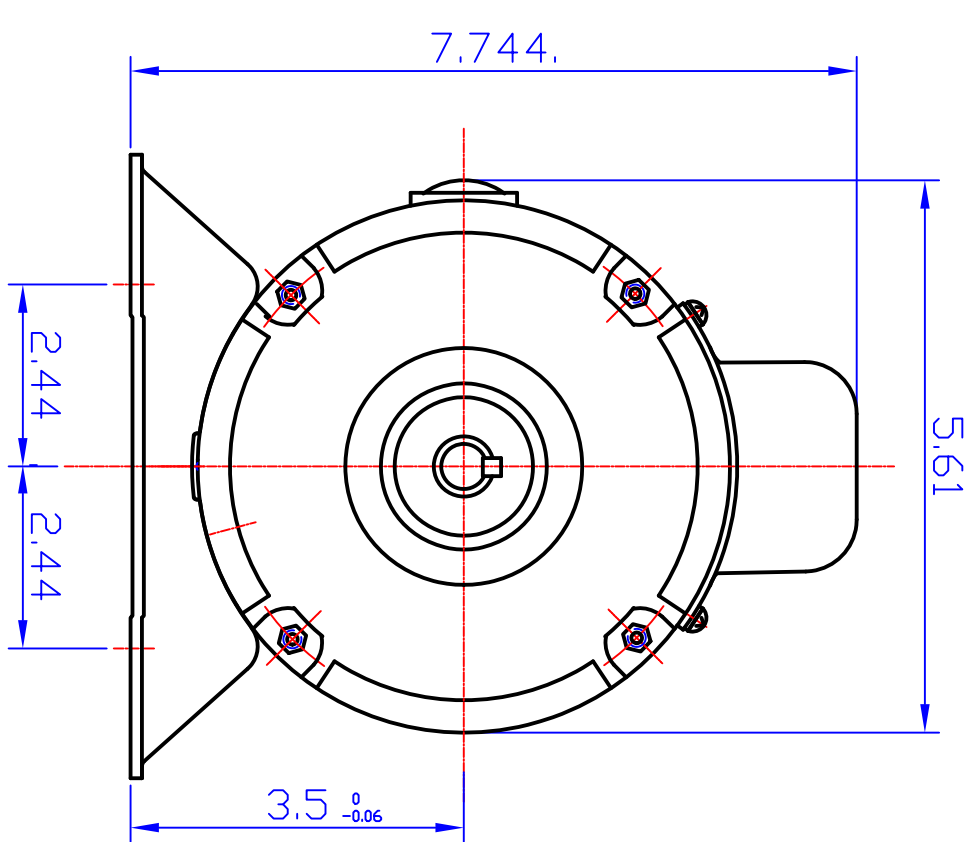
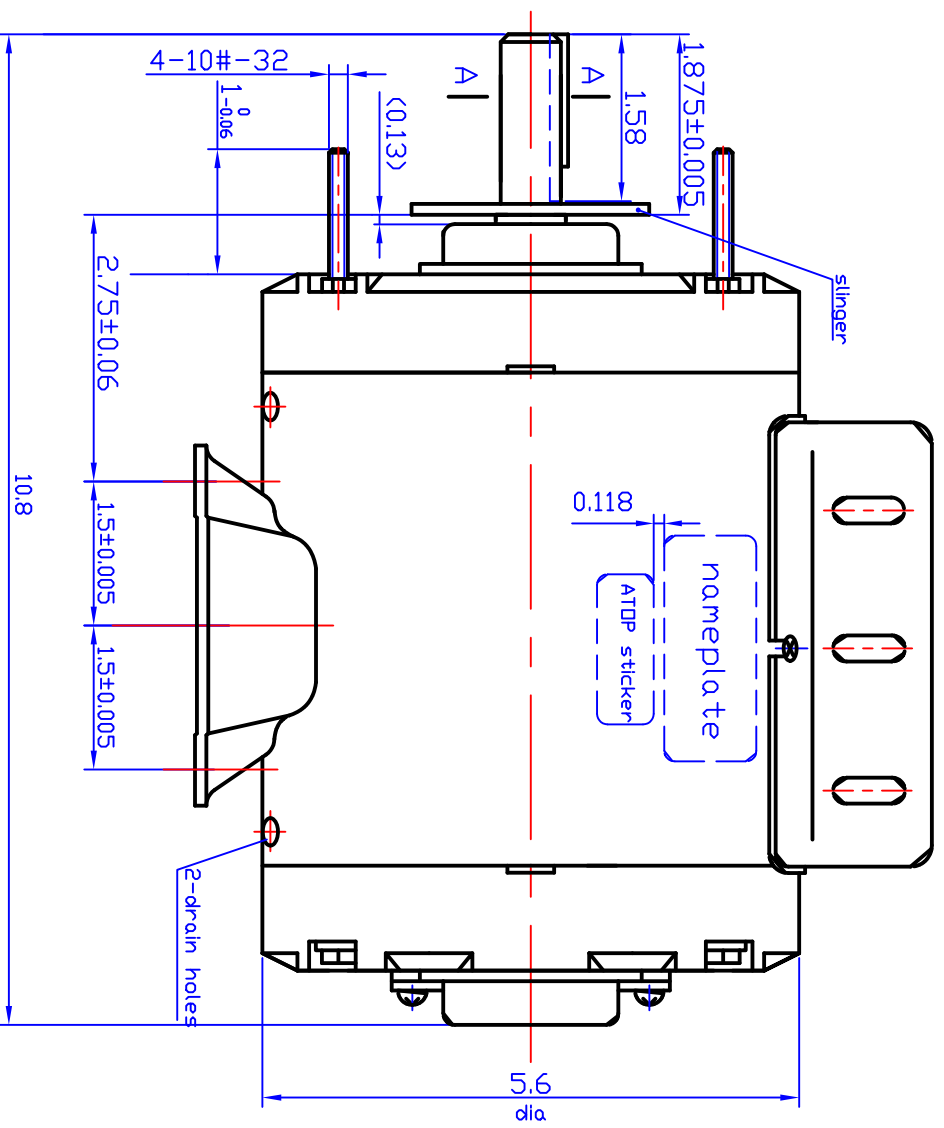
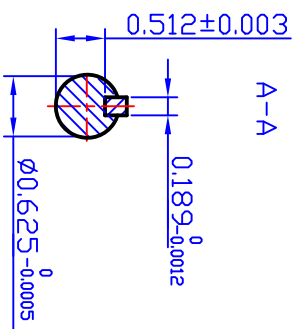


| REV | ECO | REV BY | DATE | APPD | DATE |
|-----|-----|--------|------|------|-----------|
| | | | | | 7.21.2015 |



| IND# | REF.IND | FRAME | PH | HP | HZ | Volt | thermal protector | RPM | 2-drain holes |
|------|-------------|-------|----|-----|----|---------|-------------------|------|---------------|
| F817 | F054DASMA00 | SS6 | 1 | 1/2 | 60 | 115/230 | MEJ5TRX | 1630 | WITH |

DR BY: Candy

APPD:

FIRST ANGLE PROJECTION

EDS DATE

VERSION

DESCRIPTION: F817 OUTLINE

AG-1 MOTORTEC INC.,

AG-1

SIZE: A3

DWG NO:

SCALE:

SHEET

CONFIDENTIAL PROPERTY OF GW ELECTRIC (SHANGHAI) CORPORATION AND ARE NOT TO BE DISCLOSED, DUPLICATED, OR OTHERWISE USED WITHOUT THE WRITTEN CONSENT OF GW ELECTRIC (SHANGHAI) CORPORATION, OR ITS AGENT, AG-1 MOTORTEC INC. - ALL RIGHTS RESERVED