



# RIGHT ANGLE GEAR REDUCERS - Cast Iron Housing

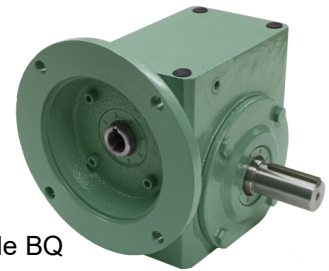


**KFM  
Hi-Temp  
seals  
on shafts**



Style TQ

**“O” Rings  
& gaskets  
under  
covers**



Style BQ

**Mounting dimensions interchangeable with most industry standard reducers**

- AGMA center distances 1.33” to 3.25”
- NEMA 56C to 210TC Input
- Competitive torque ratings
- Ratios 7.5:1 to 60:1, .25 to 7.5 HP
- Heavy duty cast iron housing
- Permanent synthetic oil
- Easy left / right handing change
- Stainless steel nameplate

**NOMENCLATURE EXAMPLE - PART NUMBER = “W2063056BQL”**

TYPE RA WORM	SIZE (CENTRE DISTANCE)	SINGLE REDUCTION RATIO (:1)	INPUT (NEMA FRAME SIZE)	*STYLE	OUTPUT (ASSEMBLY)
W	206	30	56C	BQ	L

**AVAILABLE OPTIONS**

W	1.33”	5	56C 143 / 145TC 182 / 184TC 213 / 215TC	SEE TABLES BELOW*	L (SINGLE LEFT) R (SINGLE RIGHT)
	1.54”	10			
	1.75”	15			
	2.06”	20			
	2.37”	30			
	2.62”	40			
	3.00”	50			
	3.25”	60			

**\*STYLE DESCRIPTION**

**QUILL (HOLLOW) FLANGED INPUT**

*STYLE	DESCRIPTION
BQ	No base
TQ	Horizontal base, worm over
UQ	Horizontal base, worm under

**LIST PRICES - BASIC UNITS / BASE KITS**

STYLE/SIZE	133	154	175	206	237	262	300	325
BQ	398	443	484	578	668	822	1019	1191
TQ	424	471	513	608	700	855	1053	1227
HORIZONTAL BASE KIT	26	28	29	30	32	33	34	36
HORIZONTAL BASE KIT IND#	WT-133	WT-154	WT-175	WT-206	WT-237	WT-262	WT-300	WT-325



# RIGHT ANGLE GEAR REDUCERS



## AG-I RIGHT ANGLE "QUICK FIND" SELECTION TABLES - INPUT = 1750 RPM

HP*	RATIO (:1)	OUTPUT RPM	SIZE	MAX. OUTPUT TORQUE (IN/LB)	*S.F. @ HP	MAX. INPUT HP	INPUT FLANGE AVAIL.
<b>.25</b>	7.5	233	133	243	4.1	1.0	56C
	10	175		254	3.3	.82	
	15	116		282	2.6	.64	
	20	87		309	2.2	.55	
	25	70		299	1.8	.45	
	30	58		304	1.6	.40	
	40	43		312	1.3	.33	
	50	35		316	1.1	.29	
	60	29	302	1.0	.25		

HP*	RATIO (:1)	OUTPUT RPM	SIZE	MAX. OUTPUT TORQUE (IN/LB)	*S.F. @HP	MAX. INPUT HP	INPUT FLANGE AVAIL.
<b>1.5</b>	7.5	233	154	355	1.0	1.5	56C/ 140TC
	10	175	175	509	1.1	1.6	
	15	116	206	861	1.3	1.9	
	20	87		925	1.0	1.6	
	25	70	237	1396	1.3	2.3	
	30	58		1345	1.1	1.7	
	40	43	262	1780	1.1	1.7	
	50	35	300	2390	1.3	1.9	
	60	29		2290	1.1	1.6	

<b>.33</b>	7.5	233	133	243	3.1	1.0	56C	
	10	175		254	2.5	.82		
	15	116		282	1.9	.64		
	20	87		309	1.7	.55		
	25	70		299	1.3	.45		
	30	58		304	1.2	.40		
	40	43		154	499	1.7		.56
	50	35			474	1.4		.46
	60	29	445		1.2	.39		

<b>2.0</b>	7.5	233	206	664	1.4	2.8	56C/ 140TC
	10	175		773	1.2	2.5	
	15	116		1265	1.4	2.8	
	20	87	237	1364	1.2	2.3	
	25	70		1396	1.0	2.0	
	30	58	262	1808	1.1	2.1	
	40	43	300	2378	1.1	2.3	
	50	35		2390	1.0	2.0	
	60	29		3143	1.0	2.1	

<b>.50</b>	7.5	233	133	243	2.1	1.0	56C	
	10	175		254	1.6	.82		
	15	116		282	1.3	.64		
	20	87		309	1.1	.55		
	25	70	154	483	1.5	.75		
	30	58		460	1.3	.63		
	40	43		499	1.1	.56		
	50	35		175	610	1.0		.52
	60	29		206	902	1.3		.67

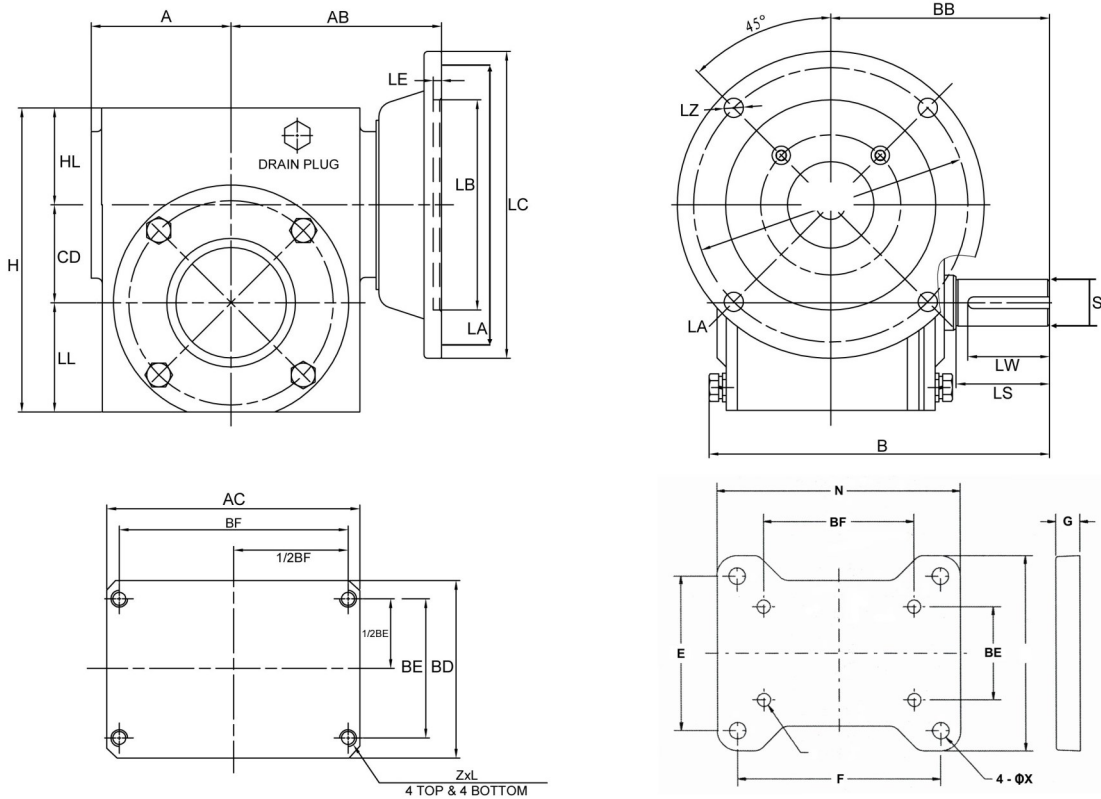
<b>3.0</b>	7.5	233	237	955	1.3	4.0	180TC
	10	175		1125	1.2	3.6	
	15	116		262	1668	1.2	
	20	87	1763		1.0	3.0	
	25	70	300	2426	1.1	3.4	
	30	58		3097	1.2	3.6	
	40	43	325	3171	1.0	3.0	
	50	35					
	60	29		N/A			

<b>.75</b>	7.5	233	133	243	1.4	1.0	56C
	10	175		254	1.1	.82	
	15	116		429	1.3	1.0	
	20	87	154	497	1.2	.92	
	25	70		483	1.0	.75	
	30	58	175	591	1.0	.74	
	40	43		932	1.2	.92	
	50	35		206	931	1.0	
	60	29	237		1350	1.3	

<b>5.0</b>	7.5	233	262	1186	1.0	5.0	180TC	
	10	175		300	1956	1.2		6.2
	15	116			2236	1.0		5.0
	20	87	325	3136	1.0	5.2		
	25	70	N/A					
	30	58						
	40	43						
	50	35						
	60	29						

<b>1.0</b>	7.5	233	133	243	1.0	1.0	56C
	10	175	154	386	1.3	1.3	
	15	116		429	1.0	1.0	
	20	87	175	605	1.0	1.0	
	25	70	206	925	1.3	1.3	
	30	58		946	1.1	1.1	
	40	43	237	1376	1.3	1.3	
	50	35		1375	1.1	1.1	
	60	29		262	1733	1.2	

<b>7.5</b>	7.5	233	325	2143	1.2	8.9	210TC
	10	175		2592	1.1	8.1	
	15	116					
	20	87	N/A				
	25	70					
	30	58					
	40	43					
	50	35					
	60	29					



### GENERAL DIMENSIONS - 'BQ' Style Reducers\*

SIZE	A	AC	B	BB	BD	BE	BF	CD	H	HL	LL	Z	L	SOLID OUTPUT SHAFT			
														S	LS	KEYWAY	LW
133	2.12	4.00	6.03	4.00	2.80	2.00	3.25	1.33	4.66	1.60	1.72	5/16-18	0.50	0.625	2.00	3/16 x 3/32	1.311
154	2.75	4.88	6.76	4.31	2.43	2.75	4.19	1.54	5.38	1.93	1.91	5/16-18	0.50	0.750	1.77	3/16 x 3/32	1.25
175	2.76	5.04	6.75	4.31	3.43	2.75	4.19	1.75	5.75	1.94	2.06	5/16-18	0.60	0.875	1.88	3/16 x 3/32	1.378
206	3.00	5.87	7.28	4.69	3.8	2.874	5.00	2.063	6.37	2.03	2.28	3/8-16	0.60	1.000	2.00	1/4 x 1/8	1.75
237	3.50	6.65	7.88	5.079	4.09	2.88	5.00	2.375	6.94	2.07	2.50	3/8-16	0.60	1.125	2.37	1/4 x 1/8	2.00
262	3.69	7.17	8.76	5.63	4.45	3.38	6.38	2.625	8.00	2.44	2.94	3/8-16	0.60	1.125	2.50	1/4 x 1/8	2.00
300	4.50	8.12	10.25	6.75	5.25	4.00	7.00	3.00	8.88	2.63	3.25	7/16-14	0.79	1.250	3.25	1/4 x 1/8	2.25
325	4.50	8.90	10.87	7.06	5.39	4.00	7.50	3.25	9.37	2.63	3.50	7/16-14	0.79	1.375	3.244	5/16 x 5/32	2.874

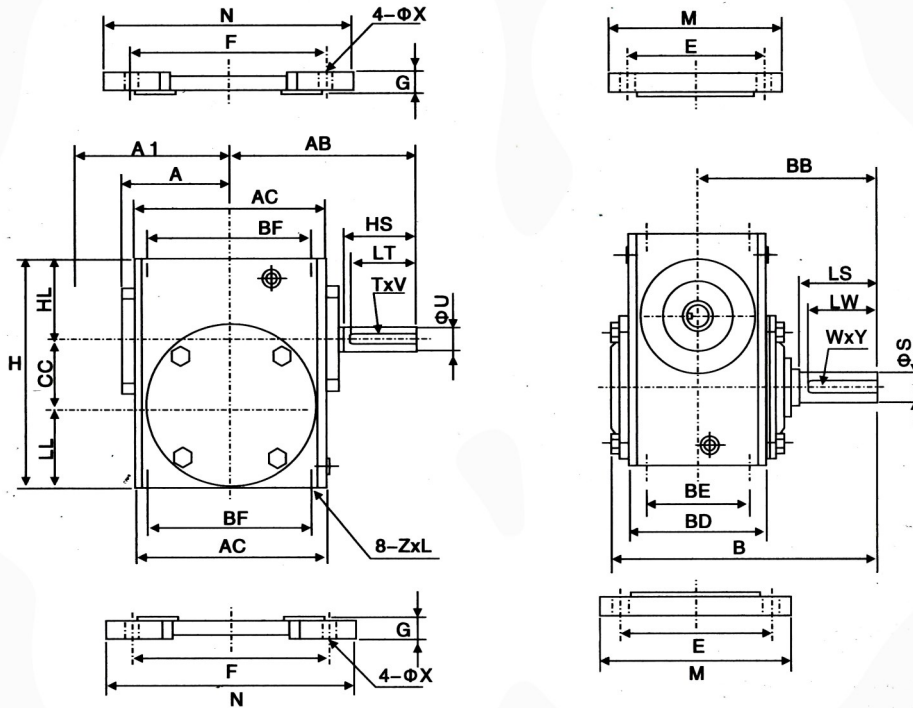
### QUILL / FLANGE INPUT DIMENSIONS\*

SIZE	FRAME	AB	LA	LB	LC	LE	LZ	INPUT		BORE	KEYWAY
								BORE	KEYWAY		
133	56C	3.94	5.875	4.50	6.54	0.20	0.41	0.625	3/16 x 3/32	0.625	3/16 x 3/32
								0.625	3/16 x 3/32		
								0.875	1/4 x 1/8		
154	56C	4.50	5.875	4.50	6.50	0.20	0.41	0.625	3/16 x 3/32	0.625	3/16 x 3/32
								0.875	1/4 x 1/8		
175	56C	4.15	5.875	4.50	6.60	0.18	0.41	0.625	3/16 x 3/32	0.625	3/16 x 3/32
	140TC							0.875	1/4 x 1/8		
206	56C	4.51	5.875	4.50	6.60	0.18	0.41	0.625	3/16 x 3/32	0.625	3/16 x 3/32
	140TC							0.875	1/4 x 1/8		
237	56C	5.00	5.875	4.50	6.5	0.20	0.41	0.625	3/16 x 3/32	0.625	3/16 x 3/32
	140TC							0.875	1/4 x 1/8		
	180TC							1.125	1/4 x 1/8		
262	56C	4.50	5.875	4.50	6.54	0.20	0.41	0.625	3/16 x 3/32	0.625	3/16 x 3/32
	140TC							0.875	1/4 x 1/8		
	180TC							1.125	1/4 x 1/8		
300	56C	4.50	5.875	4.50	6.60	0.18	0.41	0.625	3/16 x 3/32	0.625	3/16 x 3/32
	140TC							0.875	1/4 x 1/8		
	180TC							1.125	1/4 x 1/8		
325	56C	4.50	5.875	4.50	6.60	0.18	0.41	0.625	3/16 x 3/32	0.625	3/16 x 3/32
	140TC							0.875	1/4 x 1/8		
	180TC							1.125	1/4 x 1/8		



# RIGHT ANGLE GEAR REDUCERS

## "QUICK REFERENCE" DIMENSIONS



### GENERAL DIMENSIONS (for 'B' and 'BQ' Style Reducers)\*

SIZE	A	AC	B	BB	BD	BE	BF	CD	H	HL	LL	Z	L	SOLID OUTPUT SHAFT			
														S	LS	YxW	LW
133	2.12	4.00	6.03	4.00	2.80	2.00	3.25	1.33	4.66	1.60	1.72	5/16-18	0.50	0.625	2.00	3/16 x 3/32	1.311
154	2.75	4.88	6.76	4.31	2.43	2.75	4.19	1.54	5.38	1.93	1.91	5/16-18	0.50	0.750	1.77	3/16 x 3/32	1.25
175	2.76	5.04	6.75	4.31	3.43	2.75	4.19	1.75	5.75	1.94	2.06	5/16-18	0.60	0.875	1.88	3/16 x 3/32	1.378
206	3.00	5.87	7.28	4.69	3.8	2.874	5.00	2.063	6.37	2.03	2.28	3/8-16	0.60	1.000	2.00	1/4 x 1/8	1.75
237	3.50	6.65	7.88	5.079	4.09	2.88	5.00	2.375	6.94	2.07	2.50	3/8-16	0.60	1.125	2.37	1/4 x 1/8	2.00
262	3.69	7.17	8.76	5.63	4.45	3.38	6.38	2.625	8.00	2.44	2.94	3/8-16	0.60	1.125	2.50	1/4 x 1/8	2.00
300	4.50	8.12	10.25	6.75	5.25	4.00	7.00	3.00	8.88	2.63	3.25	7/16-14	0.79	1.250	3.25	1/4 x 1/8	2.25
325	4.50	8.90	10.87	7.06	5.39	4.00	7.50	3.25	9.37	2.63	3.50	7/16-14	0.79	1.375	3.244	5/16 x 5/32	2.874

### SOLID INPUT DIMENSIONS\*

SIZE	AB	INPUT SHAFT			
		U	HS	T x V	LT
133	4.03	0.500	1.81	1/8 x 1/16	1.38
154	4.69	0.625	1.69	3/16 x 3/32	0.94
175	4.69	0.625	1.81	3/16 x 3/32	1.50
206	5.06	0.625	1.81	3/16 x 3/32	1.50
237	5.44	0.750	1.94	3/16 x 3/32	1.31
262	6.23	0.750	2.31	3/16 x 3/32	1.88
300	7.00	0.875	2.26	3/16 x 3/32	1.31
325	7.06	0.875	2.31	3/16 x 3/32	1.65

### HORIZONTAL BASE DIMENSIONS\*

SIZE	E	F	M	N	G	X
133	3.31	4.38	4.32	5.38	0.53	0.34
154	4.31	5.25	5.44	6.44	0.59	0.41
175	4.50	5.75	5.56	7.00	0.69	0.41
206	4.69	6.38	6.02	7.69	0.72	0.47
237	4.88	7.06	6.19	8.50	0.75	0.49
262	5.25	8.00	6.50	9.25	0.75	0.53
300	5.88	8.44	7.36	10.16	0.75	0.53
325	6.13	9.50	7.74	11.12	0.88	0.53

Visit our website @ [www.ag-industrie.com](http://www.ag-industrie.com)