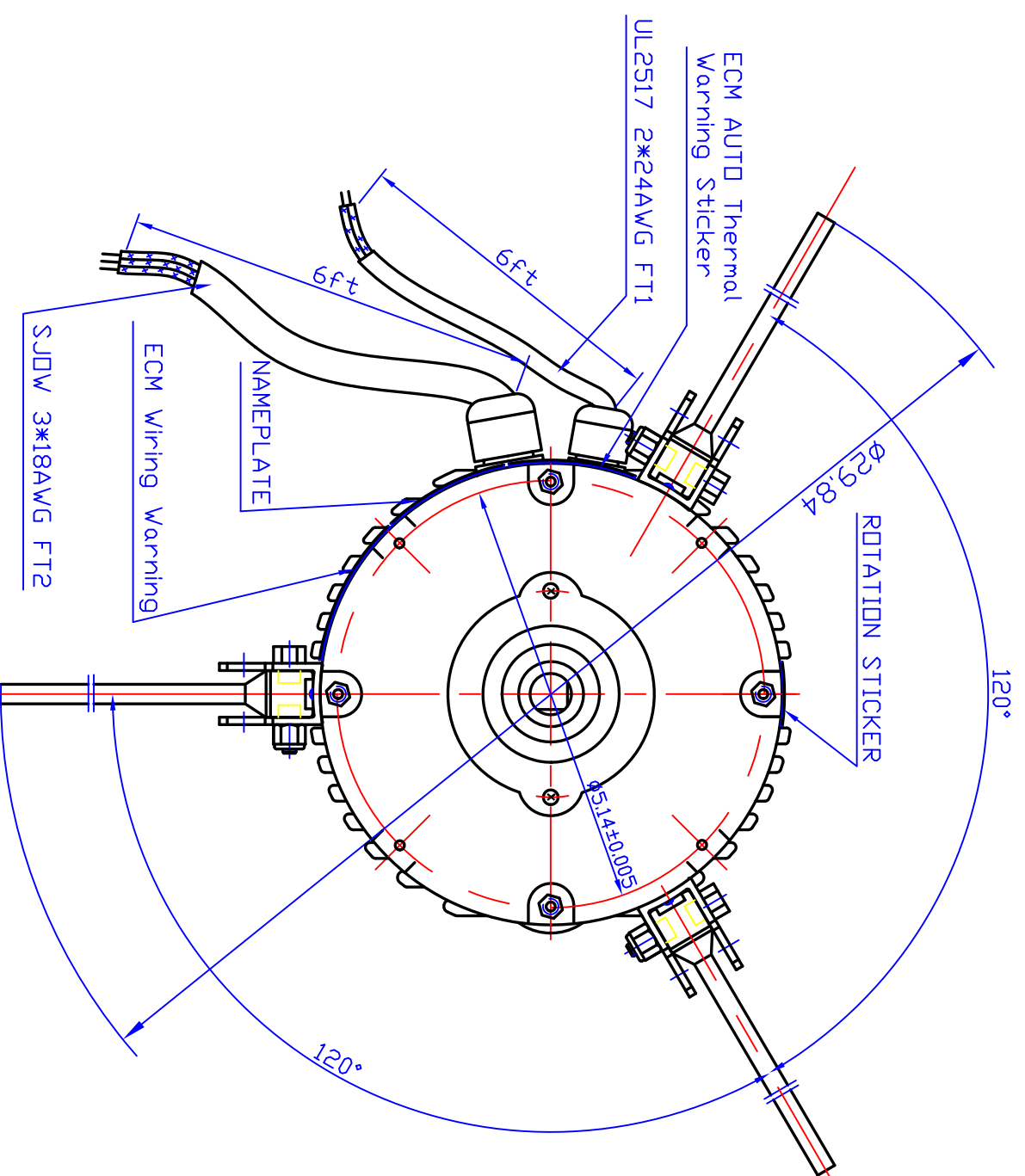
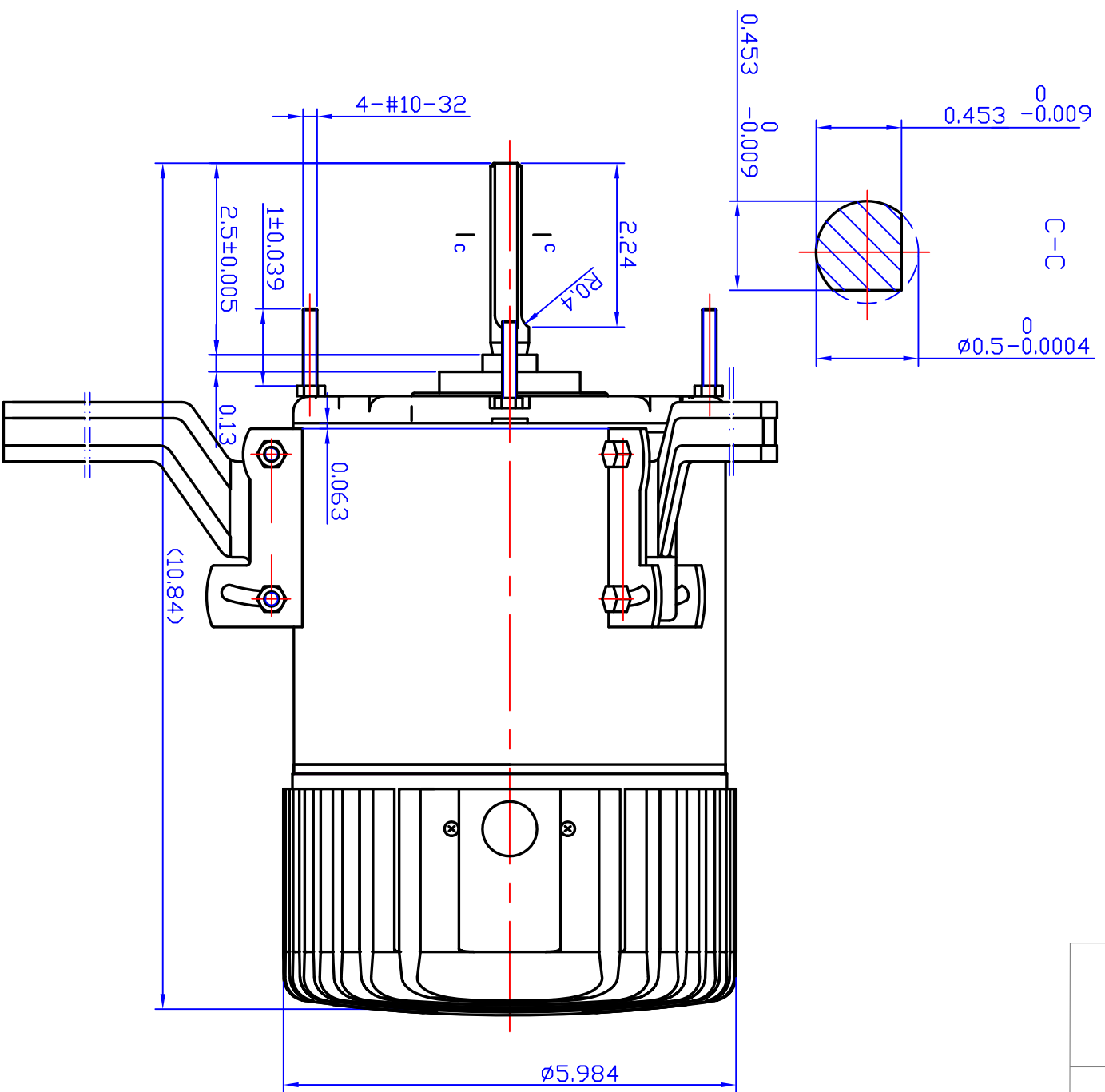



REV	ECO	REV BY	DATE	APPD	DATE



IND#	Model Number	HP	VDLTS	FRAME	HZ	RPM	EFF
EC911	ECN48B12BN/EC10V-B	1/2	115/230	48Y	50/60	450-1800	85.1%

DR BY: _____

APPD: _____

FIRST ANGLE PROJECTION 

EDS DATE _____

VERSION _____

DESCRIPTION: **AG-I** EC911 OUTLINE

AG-I MOTORTEC INC.,

CONFIDENTIAL PROPERTY OF GW ELECTRIC (SHANGHAI) CORPORATION AND ARE NOT TO BE DISCLOSED, DUPLICATED, OR OTHERWISE USED WITHOUT THE WRITTEN CONSENT OF GW ELECTRIC (SHANGHAI) CORPORATION, OR ITS AGENT, AG-I MOTORTEC INC.

- ALL RIGHTS RESERVED

SIZE: A3 DWG NO: _____

SCALE: 1:2 SHEET: _____