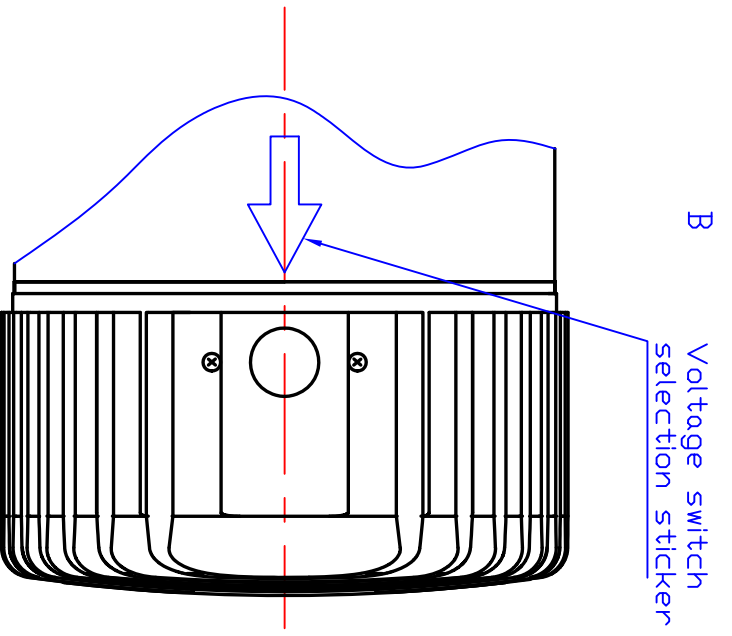
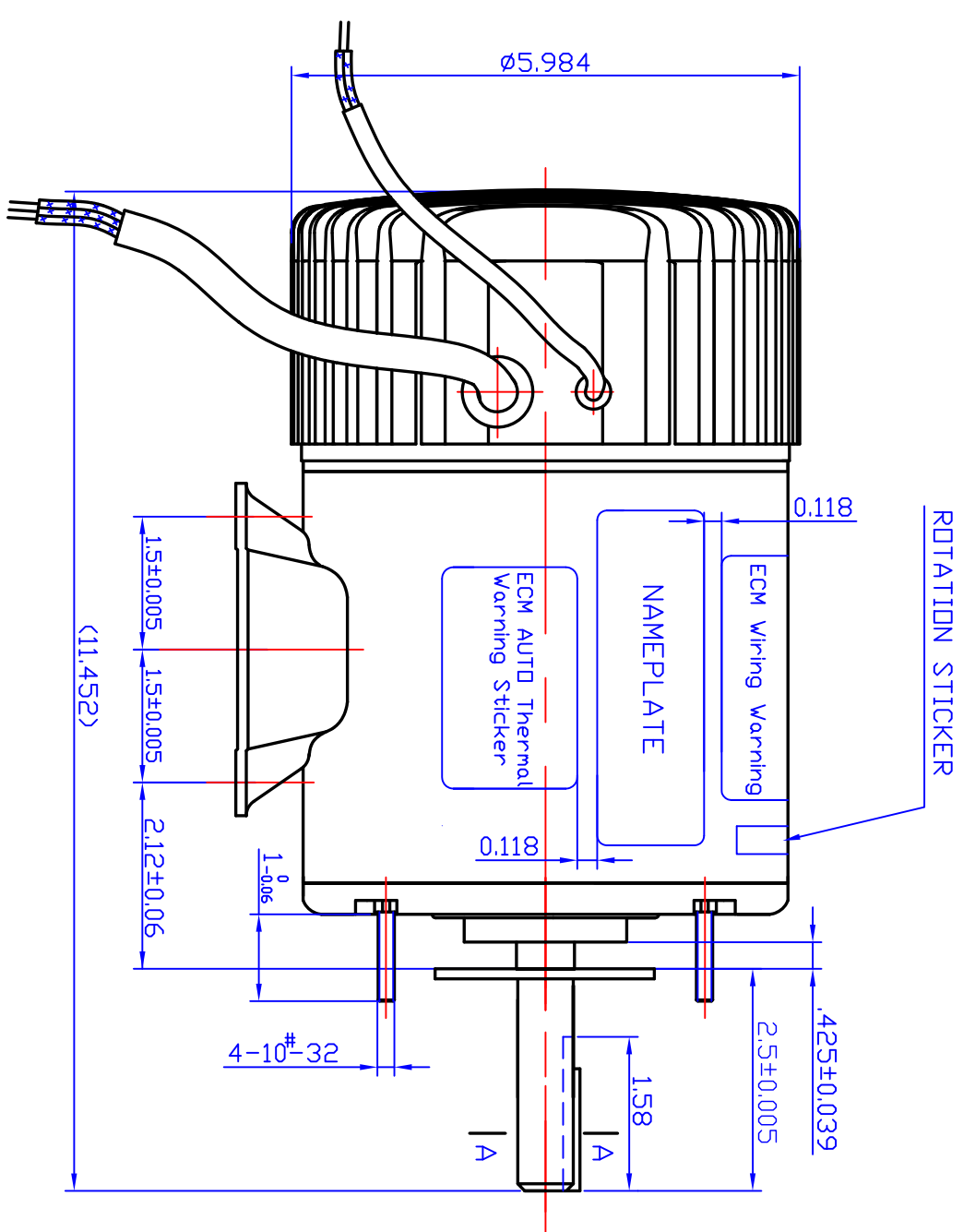
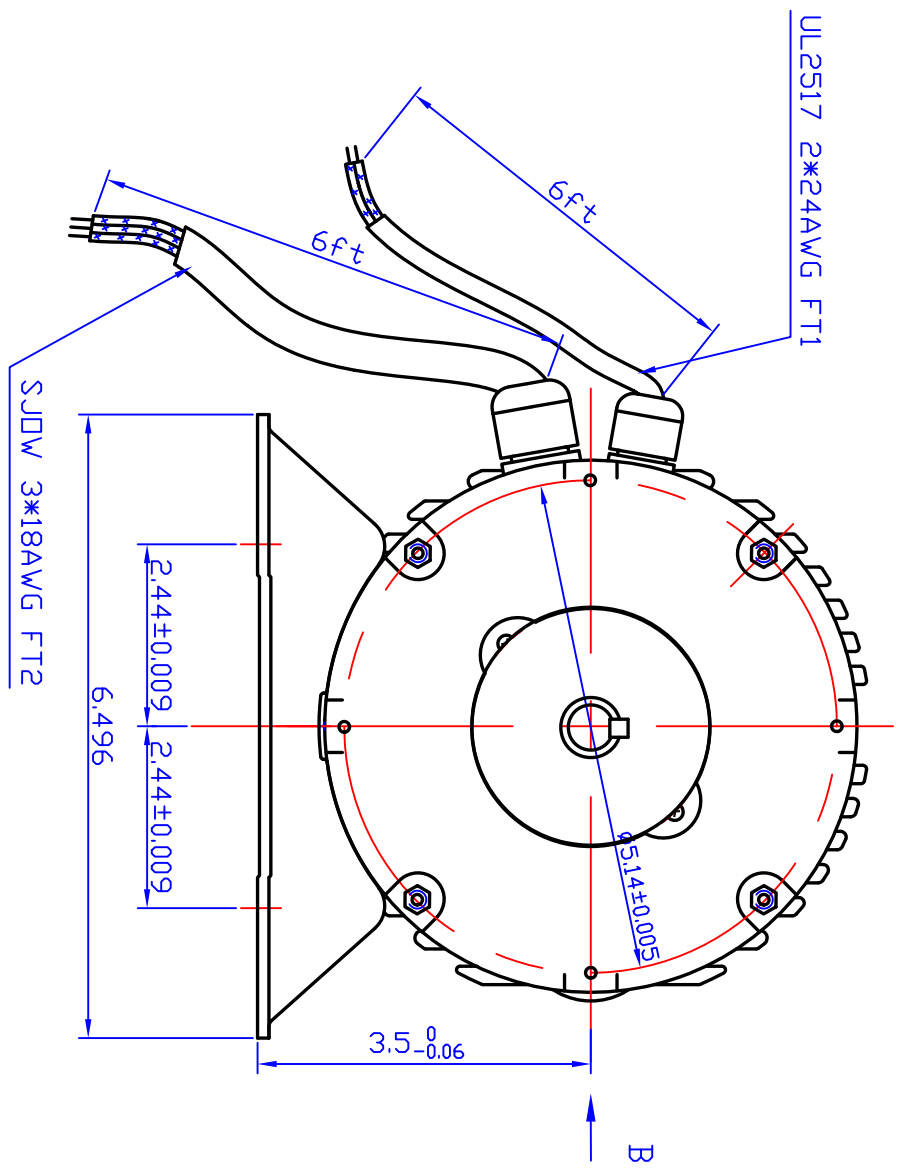
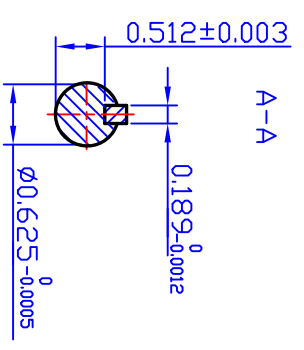


REV	ECO	REV BY	DATE	APPD	DATE



Model Number	W	VOLTS	FRAME	HZ	RPM	Rotation CW facing shaft
ECN48B34CN/EC10V-C1	550	115/208-230	S56	50/60	400-1200	

DR BY: _____

APPD: _____

FIRST ANGLE PROJECTION EDS DATE _____ VERSION _____

DESCRIPTION: **AG-I** DUTLINE1

AG-I MOTORTEC INC.,

CONFIDENTIAL PROPERTY OF GW ELECTRIC (SHANGHAI) CORPORATION AND ARE NOT TO BE DISCLOSED, DUPLICATED, OR OTHERWISE USED WITHOUT THE WRITTEN CONSENT OF GW ELECTRIC (SHANGHAI) CORPORATION, OR ITS AGENT, AG-I MOTORTEC INC.

- ALL RIGHTS RESERVED

SIZE: A3 DWG NO: _____

SCALE: 1:2 SHEET _____