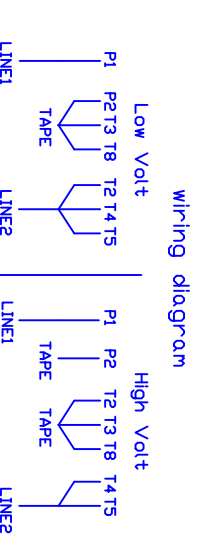
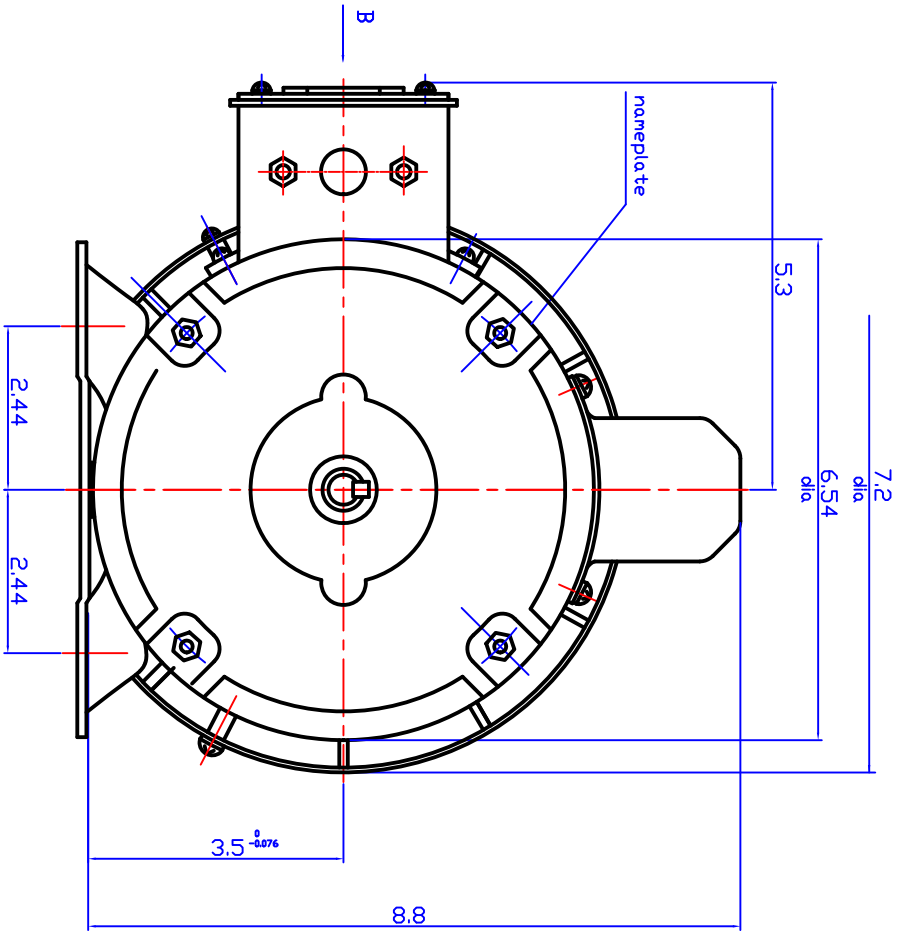
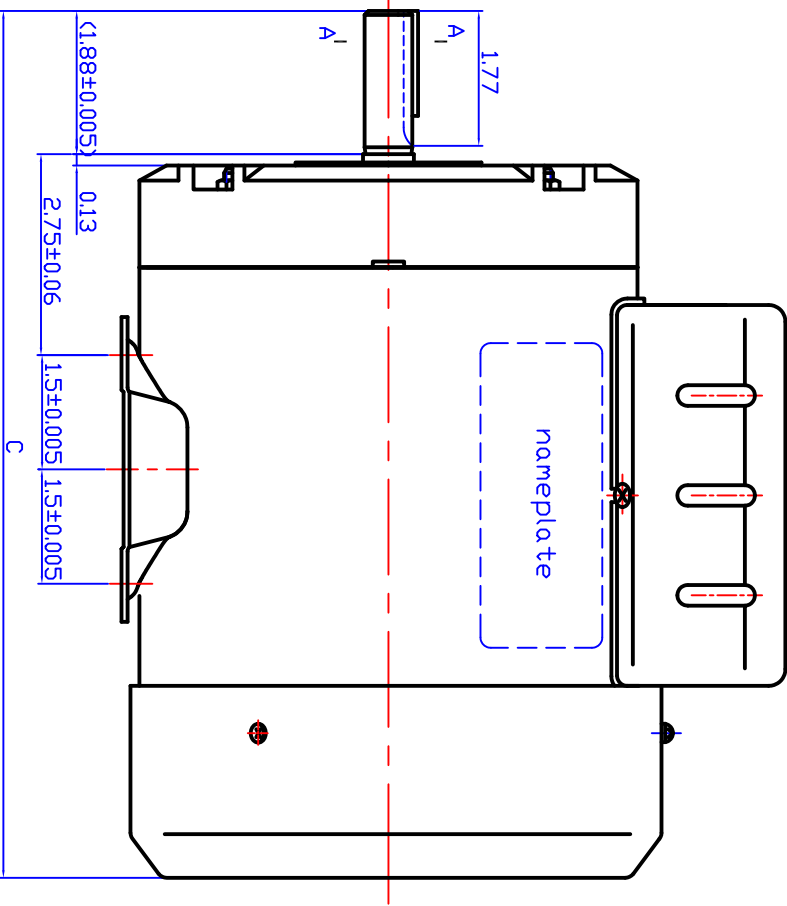
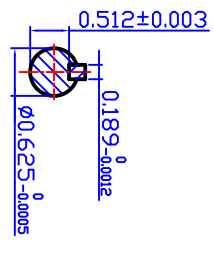


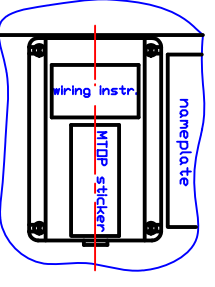
REV	ECO	REV BY	DATE	APPD	DATE

A-A



NOTE: To reverse rotation, interchange T5&T8

DIRECTION B



AGI REF#	FRAME	PH	HP	Hz	Pole	Volt	thermal protector	RPM	C	D
C256	56	1	1/3	60	4	115/208-230	CEJ3769	1725	11.0	8.4
C086	56	1	1/2	60	4	115/208-230	CEJ4705	1725		

DR BY:	Candy
APPD:	
FIRST ANGLE PROJECTION	
EDS DATE	12/20/2022
VERSION	



AG-1 MOTORTEC INC.,

DESCRIPTION
OUTLINE OF C256 & C086

SIZE A3
DWG NO
SCALE 1:1.5

CONFIDENTIAL PROPERTY OF GW ELECTRIC (SHANGHAI) CORPORATION AND ARE NOT TO BE DISCLOSED, DUPLICATED, OR OTHERWISE USED WITHOUT THE WRITTEN CONSENT OF GW ELECTRIC (SHANGHAI) CORPORATION, OR ITS AGENT, AG-1 MOTORTEC INC.
- ALL RIGHTS RESERVED

SHEET