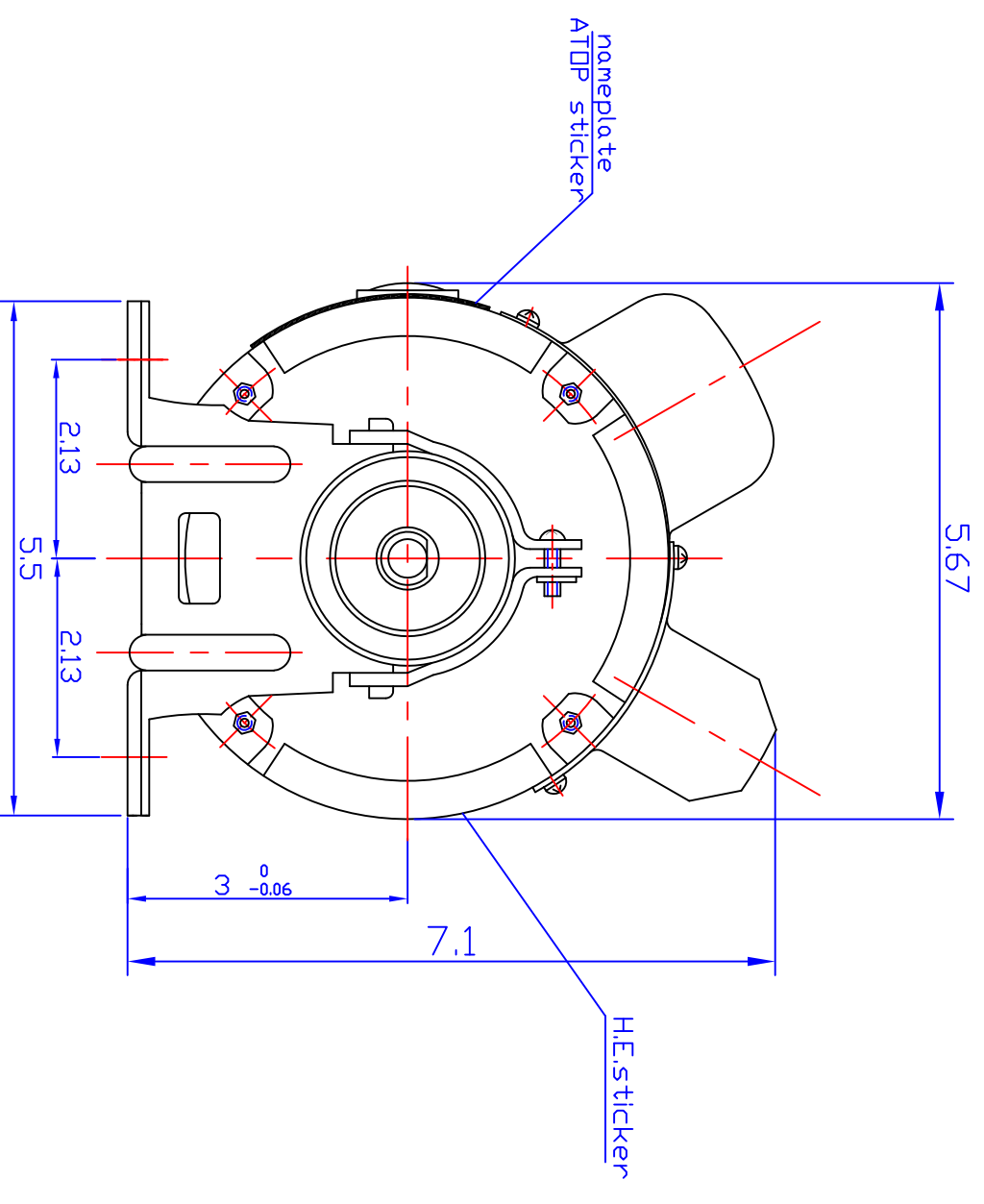
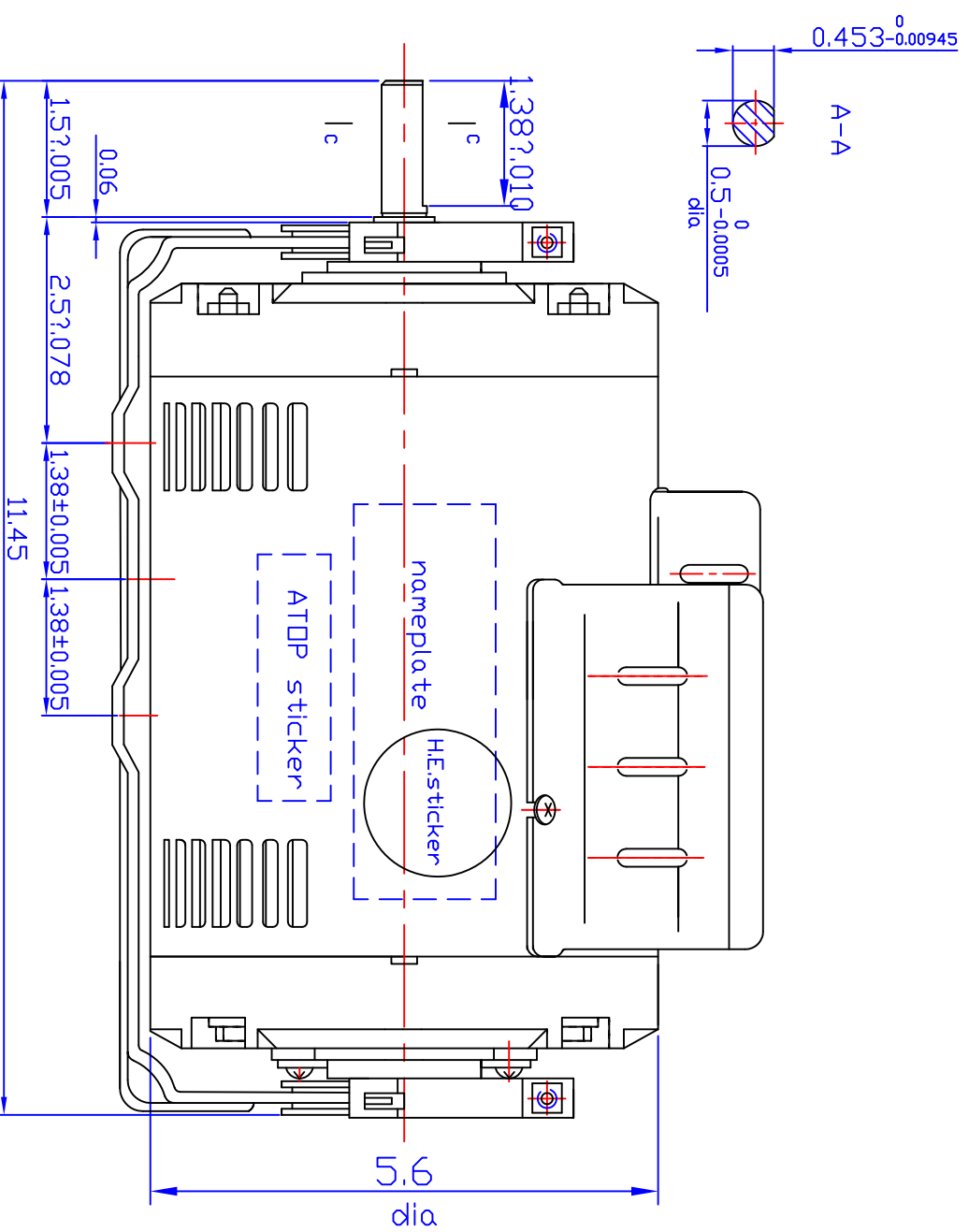



REV	ECO	REV BY	DATE	APPD	DATE



LEESDN CAT.NO.	FRAME	PH	HP	Hz	Volt	thermal protector
M090585	48	1	1/2	60	115	MEJ28RX

DR BY:	Candy	EDS DATE	VERSION	 AG-I MOTORTEC INC.,
APPD:				
FIRST ANGLE PROJECTION				DESCRIPTION
<p>CONFIDENTIAL PROPERTY OF GW ELECTRIC (SHANGHAI) CORPORATION AND ARE NOT TO BE DISCLOSED, DUPLICATED, OR OTHERWISE USED WITHOUT THE WRITTEN CONSENT OF GW ELECTRIC (SHANGHAI) CORPORATION, OR ITS AGENT, AG-I MOTORTEC INC. - ALL RIGHTS RESERVED</p>				DUTLINE DFB585 SIZE A3 SCALE 1:1.5 DWG NO SHEET