

**Mounting dimensions interchangeable with most industry standard reducers**

- AGMA center distances 1.33" to 3.25"
- NEMA 56C to 210TC Input
- Competitive torque ratings
- Ratios 7.5:1 to 60:1
- Heavy duty cast iron housing
- Permanent synthetic oil
- Epoxy powder coat finish
- Easy left / right handing change



**KFM  
Hi-Temp  
seals  
on shafts**



Style TQ

**"O" Rings  
& gaskets  
under  
covers**



Style BQ

**NOMENCLATURE EXAMPLE - PART NUMBER = "W2063056BQL"**

TYPE (RA WORM)	SIZE (CENTRE DISTANCE)	SINGLE REDUCTION RATIO (:1)	INPUT (NEMA FRAME SIZE)	*STYLE	OUTPUT (ASSEMBLY)
W	206	30	56C	BQ	L

**AVAILABLE OPTIONS**

W	1.33"	5	56C 143 / 145TC 182 / 184TC 213 / 215TC	SEE TABLES BELOW*	L (SINGLE LEFT) R (SINGLE RIGHT)
	1.54"	10			
	1.75"	15			
	2.06"	20			
	2.37"	30			
	2.62"	40			
	3.00"	50			
	3.25"	60			

**Coming Q2 2021**

**\*STYLE DESCRIPTION**

**QUILL (HOLLOW) FLANGED INPUT**

*STYLE	DESCRIPTION
BQ	No base
TQ	Horizontal base, worm over
UQ	Horizontal base, worm under

**LIST PRICES - BASIC UNITS / BASE KITS**

STYLE/SIZE	133	154	175	206	237	262	300	325
BQ	398	443	484	578	668	822	1019	1191
TQ	424	471	513	608	700	855	1053	1227
HORIZONTAL BASE KIT	26	28	29	30	32	33	34	36
HORIZONTAL BASE KIT IND#	WT-133	WT-154	WT-175	WT-206	WT-237	WT-262	WT-300	WT-325



# RIGHT ANGLE GEAR REDUCERS

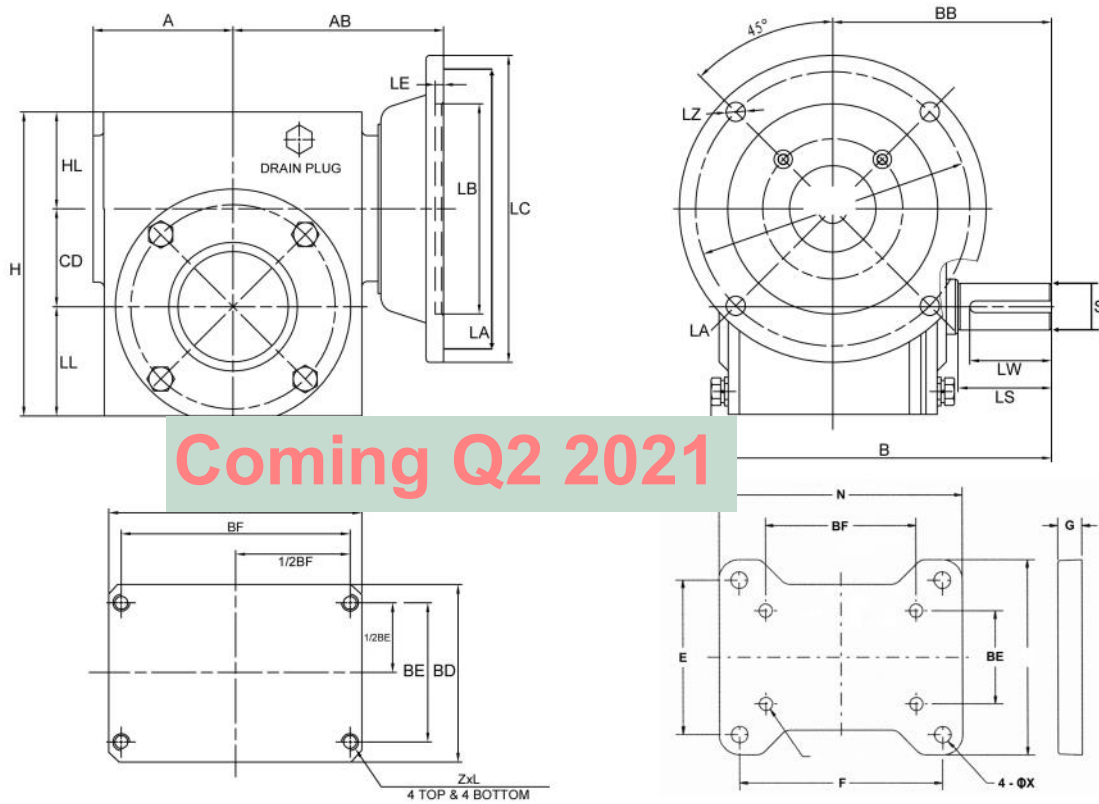
Coming Q2 2021



## AG-I RIGHT ANGLE "QUICK FIND" SELECTION TABLES - INPUT = 1750 RPM

HP*	RATIO (:1)	OUTPUT RPM	SIZE	MAX. OUTPUT TORQUE (IN/LB)	*S.F. @ HP	MAX. INPUT HP	INPUT FLANGE AVAIL.
.25	7.5	233	133	243	4.1	1.0	56C
	10	175		254	3.3	.82	
	15	116		282	2.6	.64	
	20	87		309	2.2	.55	
	25	70		299	1.8	.45	
	30	58		304	1.6	.40	
	40	43		312	1.3	.33	
	50	35		316	1.1	.29	
60	29	302	1.0	.25			
1.5	7.5	233	154	355	1.0	1.5	56C/ 140TC
	10	175		509	1.1	1.6	
	15	116		861	1.3	1.9	
	20	87		925	1.0	1.6	
	25	70		1396	1.3	2.3	
	30	58		1345	1.1	1.7	
	40	43		1780	1.1	1.7	
	50	35		2390	1.3	1.9	
60	29	2290	1.1	1.6			
.33	7.5	233	133	243	3.1	1.0	56C
	10	175		254	2.5	.82	
	15	116		282	1.9	.64	
	20	87		309	1.7	.55	
	25	70		299	1.3	.45	
	30	58		304	1.2	.40	
	40	43		499	1.7	.56	
	50	35		474	1.4	.46	
60	29	445	1.2	.39			
2.0	7.5	233	206	664	1.4	2.8	56C/ 140TC
	10	175		773	1.2	2.5	
	15	116		1265	1.4	2.8	
	20	87		1364	1.2	2.3	
	25	70		1396	1.0	2.0	
	30	58		1808	1.1	2.1	
	40	43		2378	1.1	2.3	
	50	35		2390	1.0	2.0	
60	29	3143	1.0	2.1			
.50	7.5	233	133	243	2.1	1.0	56C
	10	175		254	1.6	.82	
	15	116		282	1.3	.64	
	20	87		309	1.1	.55	
	25	70		483	1.5	.75	
	30	58		460	1.3	.63	
	40	43		499	1.1	.56	
	50	35		610	1.0	.52	
60	29	902	1.3	.67			
3.0	7.5	233	237	955	1.3	4.0	180TC
	10	175		1125	1.2	3.6	
	15	116		1668	1.2	3.6	
	20	87		1763	1.0	3.0	
	25	70		2426	1.1	3.4	
	30	58		3097	1.2	3.6	
	40	43		3171	1.0	3.0	
	50	35					
60	29	N/A					
.75	7.5	233	133	243	1.4	1.0	56C
	10	175		254	1.1	.82	
	15	116		429	1.3	1.0	
	20	87		497	1.2	.92	
	25	70		483	1.0	.75	
	30	58		591	1.0	.74	
	40	43		932	1.2	.92	
	50	35		931	1.0	.77	
60	29	1350	1.3	.97			
5.0	7.5	233	262	1186	1.0	5.0	180TC
	10	175		1956	1.2	6.2	
	15	116		2236	1.0	5.0	
	20	87		3136	1.0	5.2	
	25	70					
	30	58					
	40	43					
	50	35					
60	29						
1.0	7.5	233	133	243	1.0	1.0	56C
	10	175		386	1.3	1.3	
	15	116		429	1.0	1.0	
	20	87		605	1.0	1.0	
	25	70		925	1.3	1.3	
	30	58		946	1.1	1.1	
	40	43		1376	1.3	1.3	
	50	35		1375	1.1	1.1	
60	29	1733	1.2	1.2			
7.5	7.5	233	325	2143	1.2	8.9	210TC
	10	175		2592	1.1	8.1	
	15	116					
	20	87					
	25	70					
	30	58					
	40	43					
	50	35					
60	29						

## “QUICK REFERENCE” DIMENSIONS



Coming Q2 2021

### GENERAL DIMENSIONS - 'BQ' Style Reducers\*

SIZE	A	AC	B	BB	BD	BE	BF	CD	H	HL	LL	Z	L	SOLID OUTPUT SHAFT			
														S	LS	KEYWAY	LW
133	2.12	4.00	6.03	4.00	2.80	2.00	3.25	1.33	4.66	1.60	1.72	5/16-18	0.50	0.625	2.00	3/16 x 3/32	1.311
154	2.75	4.88	6.76	4.31	2.43	2.75	4.19	1.54	5.38	1.93	1.91	5/16-18	0.50	0.750	1.77	3/16 x 3/32	1.25
175	2.76	5.04	6.75	4.31	3.43	2.75	4.19	1.75	5.75	1.94	2.06	5/16-18	0.60	0.875	1.88	3/16 x 3/32	1.378
206	3.00	5.87	7.28	4.69	3.8	2.874	5.00	2.063	6.37	2.03	2.28	3/8-16	0.60	1.000	2.00	1/4 x 1/8	1.75
237	3.50	6.65	7.88	5.079	4.09	2.88	5.00	2.375	6.94	2.07	2.50	3/8-16	0.60	1.125	2.37	1/4 x 1/8	2.00
262	3.69	7.17	8.76	5.63	4.45	3.38	6.38	2.625	8.00	2.44	2.94	3/8-16	0.60	1.125	2.50	1/4 x 1/8	2.00
300	4.50	8.12	10.25	6.75	5.25	4.00	7.00	3.00	8.88	2.63	3.25	7/16-14	0.79	1.250	3.25	1/4 x 1/8	2.25
325	4.50	8.90	10.87	7.06	5.39	4.00	7.50	3.25	9.37	2.63	3.50	7/16-14	0.79	1.375	3.244	5/16 x 5/32	2.874

### QUILL / FLANGE INPUT DIMENSIONS\*

SIZE	FRAME	AB	LA	LB	LC	LE	LZ	INPUT	
								BORE	KEYWAY
133	56C	3.94	5.875	4.50	6.54	0.20	0.41	0.625	3/16 x 3/32
154	56C	4.50	5.875	4.50	6.50	0.20	0.41	0.625	3/16 x 3/32
175	56C	4.15	5.875	4.50	6.60	0.18	0.41	0.625	3/16 x 3/32
	0.875								
206	56C	4.51	5.875	4.50	6.60	0.18	0.41	0.625	3/16 x 3/32
	140TC							0.875	
237	56C	5.00	5.875	4.50	6.5	0.20	0.41	0.625	3/16 x 3/32
	140TC							0.875	
	180TC							1.125	

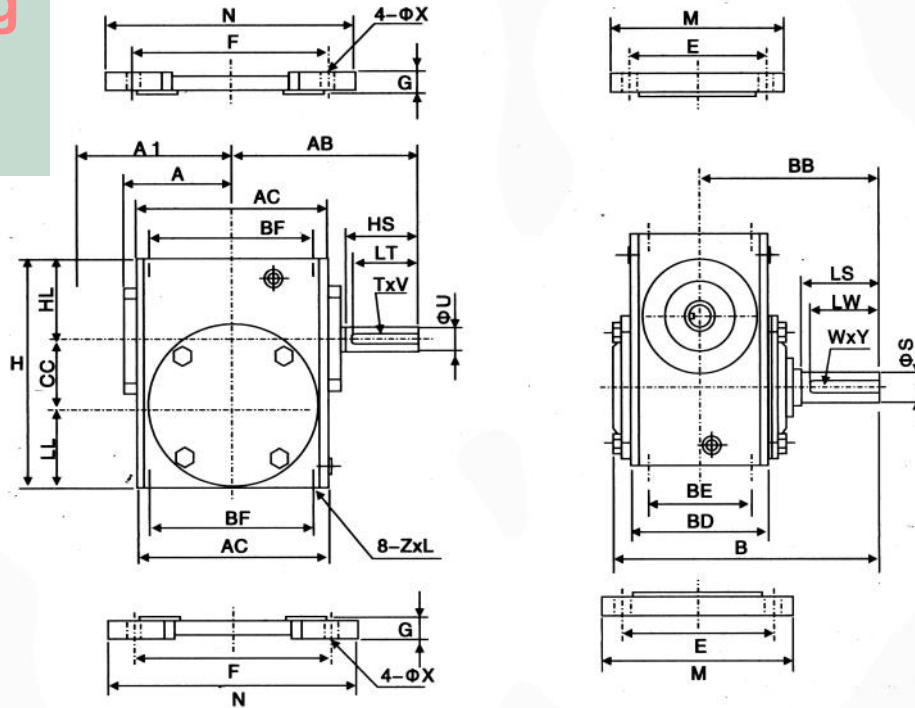
262	56C	5.70	5.875	4.50	6.50	0.20	0.41	0.625	3/16 x 3/32					
	140TC							0.875						
	180TC							1.125		1/4 x 1/8				
300	56C	6.54	5.875	4.50	6.50	0.20	0.41	0.625	3/16 x 3/32					
	140TC							0.875						
	180TC							1.125		1/4 x 1/8				
	210TC							1.375		5/16 x 5/32				
325	56C	6.57	5.875	4.50	6.50	0.20	0.41	0.625	3/16 x 3/32					
	140TC							0.875						
	180TC	7.36						7.25	8.50	9.02	0.28	0.55	1.125	1/4 x 1/8
	210TC												1.375	5/16 x 5/32

# RIGHT ANGLE GEAR REDUCERS

## “QUICK REFERENCE” DIMENSIONS



Coming  
Q2  
2021



### GENERAL DIMENSIONS (for 'B' and 'BQ' Style Reducers)\*

SIZE	A	AC	B	BB	BD	BE	BF	CD	H	HL	LL	Z	L	SOLID OUTPUT SHAFT			
														S	LS	YxW	LW
133	2.12	4.00	6.03	4.00	2.80	2.00	3.25	1.33	4.66	1.60	1.72	5/16-18	0.50	0.625	2.00	3/16 x 3/32	1.311
154	2.75	4.88	6.76	4.31	2.43	2.75	4.19	1.54	5.38	1.93	1.91	5/16-18	0.50	0.750	1.77	3/16 x 3/32	1.25
175	2.76	5.04	6.75	4.31	3.43	2.75	4.19	1.75	5.75	1.94	2.06	5/16-18	0.60	0.875	1.88	3/16 x 3/32	1.378
206	3.00	5.87	7.28	4.69	3.8	2.874	5.00	2.063	6.37	2.03	2.28	3/8-16	0.60	1.000	2.00	1/4 x 1/8	1.75
237	3.50	6.65	7.88	5.079	4.09	2.88	5.00	2.375	6.94	2.07	2.50	3/8-16	0.60	1.125	2.37	1/4 x 1/8	2.00
262	3.69	7.17	8.76	5.63	4.45	3.38	6.38	2.625	8.00	2.44	2.94	3/8-16	0.60	1.125	2.50	1/4 x 1/8	2.00
300	4.50	8.12	10.25	6.75	5.25	4.00	7.00	3.00	8.88	2.63	3.25	7/16-14	0.79	1.250	3.25	1/4 x 1/8	2.25
325	4.50	8.90	10.87	7.06	5.39	4.00	7.50	3.25	9.37	2.63	3.50	7/16-14	0.79	1.375	3.244	5/16 x 5/32	2.874

### SOLID INPUT DIMENSIONS\*

SIZE	AB	INPUT SHAFT			
		U	HS	T x V	LT
133	4.03	0.500	1.81	1/8 x 1/16	1.38
154	4.69	0.625	1.69	3/16 x 3/32	0.94
175	4.69	0.625	1.81	3/16 x 3/32	1.50
206	5.06	0.625	1.81	3/16 x 3/32	1.50
237	5.44	0.750	1.94	3/16 x 3/32	1.31
262	6.23	0.750	2.31	3/16 x 3/32	1.88
300	7.00	0.875	2.26	3/16 x 3/32	1.31
325	7.06	0.875	2.31	3/16 x 3/32	1.65

### HORIZONTAL BASE DIMENSIONS\*

SIZE	E	F	M	N	G	X
133	3.31	4.38	4.32	5.38	0.53	0.34
154	4.31	5.25	5.44	6.44	0.59	0.41
175	4.50	5.75	5.56	7.00	0.69	0.41
206	4.69	6.38	6.02	7.69	0.72	0.47
237	4.88	7.06	6.19	8.50	0.75	0.49
262	5.25	8.00	6.50	9.25	0.75	0.53
300	5.88	8.44	7.36	10.16	0.75	0.53
325	6.13	9.50	7.74	11.12	0.88	0.53



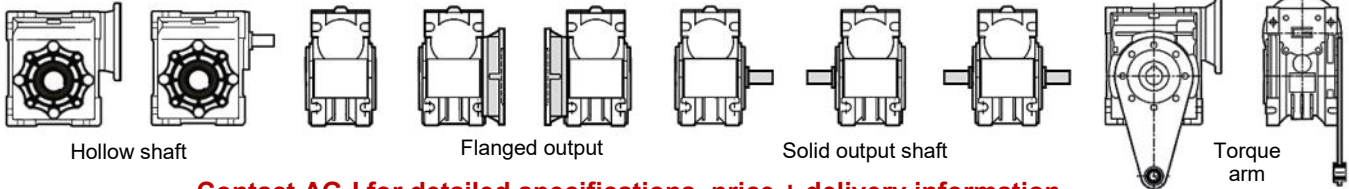
# RV Right Angle Worm Gear Reducers - Aluminum Housing



- Universal mount
- Light weight
- High tensile strength
- Compact size
- Standard sizes 030 thru 150



### Standard configurations available



Hollow shaft

Flanged output

Solid output shaft

Torque arm

Contact AG-I for detailed specifications, price + delivery information

SIZE	BORE SIZE	RATIOS	INPUTS	OUTPUTS	MOUNT	ACCESSORIES
<b>Aluminum housing</b>				Hollow output—standard		
030	.625 in.	7.5	<b>NEMA</b> 48 56C 140TC 180TC 210TC 250TC	Single or double output with plug-in shaft	B3 B6 B7 B8 V5 V6	Single output shaft
040	.75 in.	10				Double output shaft
050	1.0 in.	15				Torque arm
063	1.125 in.	20				Output Flange
075	1.25 in.	25				
090	1.375 in.	30				
		40				
<b>Cast iron housing</b>				Output flange mount		
110	1.625 in.	50		Output flange mount with hollow output shaft		
130	1.75 in.	60				
150	2.0 in.	80				
		100				

## OTHER GEAR PRODUCTS AVAILABLE

Contact AG-I for detailed specifications, price + delivery information



**WP Series—Cast Iron**  
 Sizes 40 thru 250  
 Ratios 10:1 thru 60:1  
 .18kW to 15 kW  
 .25 HP to 20.0 HP



**ER Series IEC Helical Gear**

Contact  
**AG-I MotorTec**  
 for custom  
**NEMA or IEC**  
 gear and motor  
 requirements