



STOCK CATALOGUE

Motors, Drives & Gears

FEB-24

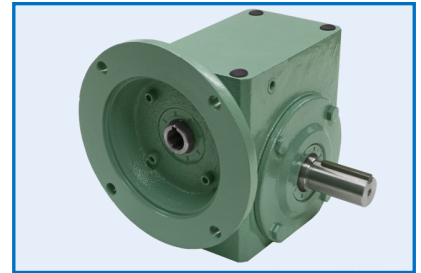


NEW!

AG-I [EC AG Fan Motors](#)
[Page 6](#)



AG-I [Brakemotors](#)
[Page 4](#)



AG-I [Worm Gears](#) [Page 19-22](#)
(C) [Cone Drive](#) [Page 23-26](#)



AG-I [AG Fan motors](#) [Page 7-8](#)



NEW 5.0 HP !

AG-I [Farm Duty](#) [Page 3](#)



AG-I [3 Phase](#) [Page 4](#)



[DC Controls](#) [Page 13-16](#)
TECO [AC Controls](#) [Page 18](#)



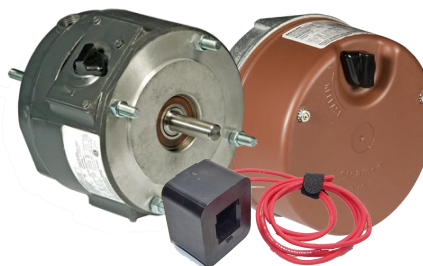
AG-I [DC Motors](#) [Page 5](#)



AG-I [IP69K Stainless](#)
[Page 11-12](#)



AG-I [Pool Pump & Compressor](#)
[Motors](#) [Page 10](#)



Stearns [Brakes & Parts](#)
[Page 17-18](#)

[INDEX](#)
[on page 2](#)



AG-I MotorTec Inc. 519-941-6832

Visit our website @ www.ag-industrie.com

Press logo or image at top right of pages to return to INDEX 
 Press Hyperlinks below to go to product page, or
 Press product photo to go to that page.



PRODUCT	Page
Farm Duty - 1 Phase	3
3 Phase TEFC & Brakemotors (TENV)	4
DC Motors - Permanent Magnet	5
AGRICULTURAL FAN MOTORS	
EC AG Fan Motors - TEAO	6
AG Fan 1 phase and 3 phase -TEAO	7-8
Vent Plus & Pedestal Mount fan - TEAO	8
Belt Drive fan, TEAO	8
Auger Drive	9
Belted Fan - Oil Burner - Instant Reverse	9
Pool Pump	10
Compressor Duty	10
IP69K Stainless - 3 Phase	11-12
A.C.E. DC SCR CONTROLS	
90-180VDC Chassis	13
NEMA 1 Enclosed Drives	14
NEMA 4X Drives	15
ACE DC DRIVES CROSS REFERENCE	16
STEARNS ELECTRO-MAGNETIC BRAKES	
STEARNS Brake Parts 	18
AG-I Right Angle Worm Reducers	19-22
CONE DRIVE SERIES B Right Angle Reducers	23-26
NEMA Motor Dimensions	27
CONTACT US - WARRANTY - INSTRUCTIONS	28



Series E-RV
OEM Aluminum

Visit our website @ www.ag-industrie.com



FARM DUTY - 1 PHASE - TEFC - 56-184T

- Reliable Motive Power for Agriculture & Industry -



56HC w/Feet



56 Foot mount



5.0 HP
K005

- Heavy steel fan guard
- Epoxy powder coat paint finish
- Torq® centrifugal & stationary switches
- Upgraded gasketing
- Precision balanced rotor

* = Premium Efficiency Δ = Cap start-cap run ≤=5/8" shaft ≥=7/8" shaft 56H=56/140 dual base

HP	RPM	FRAME	IND#	VOLTAGE	230V FLA	OVER LOAD	WGT LB	"C" DIM.	LIST	
.33	1800	56	C256	115/208-230	2.9	MAN.	24	10.81	292	
		56C no feet	C290						306	
		56C/Feet	C256C						306	
.50	1800	56	C086	115-208-230	3.9	MAN.	25	10.81	317	
		56C no feet	C492						331	
		56C/Feet	C086C						331	
.75	1800	56	C087	115-208-230	5.0	MAN.	30	11.25	350	
		56C no feet	C493						364	
		56C/Feet	C087C		3.6		36	12.4	364	
		56	Δ* K087						375	
		56C/Feet	Δ* K087C						375	
1.0	3600	56	C142	115-208-230	5.9	MAN.	32	11.3	376	
		56C/Feet	C142C						390	
	1800	56	Δ* K088		4.4		MAN.	39	12.8	395
		56C no feet	Δ* K494							409
		56C/Feet	Δ* K088C							409
	1150	56HC	Δ* K401C	115/230	5.9	NONE	49	13.5	550	
1.5	3600	56	C109	115/208-230	8.1	MAN.	36	11.9	413	
		56C/Feet	C109C						427	
	1800	56H	Δ K089		9.0		43	13.31	452	
		56C no feet	Δ K495						466	
		56HC/Feet	Δ K089C			466				
2.0	3600	56H	C402	115-208-230	10.0	MAN.	44	13.3	491	
		56H	C402C						505	
	1800	56HZ	Δ*> K090	230	9.5		48	14.25	524	
		56HC/Feet	Δ*< K090Z						538	
		56HCZ/Feet	Δ*> K090F						538	
3.0	3600	56HZ	Δ> K341	230	12.5	NONE	53	13.6	583	
		56HCZ/Feet	Δ> K341C						597	
	1800	184T	Δ* K003	208-230	16.0	MAN.	90	17.7	795	
184T		Δ* K003C	865							
5.0	1800	184T	Δ* K005	208-230	23.0	MAN.	100	19.8	920	
		184T	Δ* K005C				100	19.8	990	
C FLANGE		56	56-FLANGE	Fits only 56 and 56H frame motors in this table					40	
C FLANGE		56HZ/140T	140-FLANGE	Fits only 56HZ and 140T frame motors in this table					40	
C FLANGE		184T	180-FLANGE	Fits only 184T frame 1 phase motors K003 and K005					50	

NEW!



3 PHASE - 56C to 180TC TEFC 575 and 208-230/460 Volt

AG-I Inverter Ready
*NEMA MG1 Part 30



* = Premium Efficiency † = Convertible to F2 mount ○ = Locked bearing ‡ = Discontinued

HP	RPM	FRAME	575V		208-230/460V		WGT LB	"C" DIM.	LIST
			IND#	FLA	IND#	FLA 230V			
.33	3600	56C/Feet	○ TC23C	.6	○ TU23C	1.4	25	11.1	255
	1800	56C/Feet	T212C	.6	T031C	1.3	22	9.88	275
.50	3600	56C/Feet	○ TC25C	.75	○ TU25C	1.9	26	11.1	272
	1800	56C/Feet	T199C	.8	T032C	2.0	24	10.38	297
		56C/No Feet	T176	.8	T046	2.0	24	10.38	297
.75	3600	56C/Feet	○ TC27C	1.1	○ TU27C	2.6	27.3	11.1	292
	1800	56C/Feet	T178C	1.1	T034C	2.4	25	11.31	308
		56C/No Feet	T177	1.1	T047	2.4	24	11.31	308
1	3600	56HC/Feet	* ○ TC210C	1.0	‡ ○ TU210C	2.6	35	12.8	313
	1800	56HC/Feet	* T206CE	1.2	* T035CE	3.3	42	13.3	375
		56C/No Feet	* T204E	1.2	* T048E	3.3	41	13.5	400
		143TC/Feet	* TC00CE	1.2	* TU00CE	3.3	42	13.5	400
1.5	3600	56HC/Feet	* ○ TC215C	1.5	‡ ○ TU215C	4.0	39	12.8	352
	1800	56HC/Feet	* T893CE	1.8	* T444CE	4.4	43	13.8	400
		145TC/Feet	* TC03CE	1.8	* TU03CE	4.4	45	12.5	420
2.0	3600	56HC/Feet	* ○ TC220C	1.9	* ○ TU220C	5.0	44	13.2	410
	1800	56HC/Feet	* TC01CE	2.2	* TU01CE	5.6	51	13.9	475
		145TC/Feet	* TC02CE	2.2	* TU02CE	5.6	51	13.9	509
		145TC/No Feet	TC02CER	2.2	TU02CER	5.6	50	13.9	509
3.0	1800	182T	* † TC34	3.2	* † TU34	8.08	77	17.1	656
		182TC/Feet	* † TC34C	3.2	* † TU34C	8.08	77	17.1	707
5.0	1800	184T	* † TC54	5.2	* † TU54	13.0	85	17.1	758
		184TC/Feet	* † TC54C	5.2	* † TU54C	13.0	85	17.1	808
C FLANGE		182T/184T	180-FLANGE 3PH	FITS 3 PHASE MOTORS ONLY			2.5	-	50

BRAKEMOTORS - 3 PHASE - 56C TENV - * 1.15 S.F.

○ = Locked bearing

HP	RPM	FRAME	Brake LB-FT	575V		208-230/460V		WGT LB	"C" DIM.	LIST
				IND#	FLA	IND#	FLA 230V			
.33	1800	56C/Feet	3	○ TB708BR	.52	○ TB669BR	1.3	33	13.74	734
.50	1800	56C/Feet	3	○ TB709BR	.65	○ TB670BR	1.6	34	13.74	759
.75	1800	56C/Feet	6	○ TB710BR	.95	○ TB671BR	2.3	45	13.74	843

* Rated for 1.0 S.F. @ 50Hz

- Stearns** Series 56,000 brake
- IP23 (NEMA 1)
 - Spring-Set Electrically Released
 - Manual release

AVAILABLE WITH
115/230V. 1PH
BRAKE COIL



Replacement brakes & parts available - See page 17

- Voltages: 12, 24, 90, 180 VDC
- Advanced magnet design
- Precision balanced armature
- Very low noise
- Sturdy removable base
- Large brushes, easy to replace
- 20:1 constant torque speed range

DC Drives
 pages 13-16



PM000
 1/2 HP 90V.

PM046
 .33 HP 12V.

Custom DC motors available in other voltages, speeds, configurations

Δ = Terminal studs at 12:00 **TEFC** = Totally enclosed fan cooled **TENV** = Totally enclosed non-ventilated

HP	RPM	FRAME	*ENCL.	IND#	REF#	VOLTS	FLA	OVER-LOAD	WGT LB	"C" DIM.	LIST
.25	1800	SS56C/Feet	TEFC	PM002	ZYT42-01	90	2.5	NONE	17.1	10.81	310
		SS56C/Feet	TEFC	PM003	ZYT42-02	180	1.4	NONE	17.8	11.31	335
		S56C/Feet	TENV	Δ PM045	ZYT48-01	12	21	NONE	18.2	10.17	455
.33	1800	SS56C/Feet	TEFC	PM004	ZYT42-03	90	3.5	NONE	19.4	11.31	345
		SS56C/Feet	TEFC	PM005	ZYT42-04	180	1.7	NONE	19.3	11.31	345
		S56C/Feet	TENV	Δ PM046	ZYT48-02	12	27	NONE	20.1	10.67	510
		S56C/Feet	TENV	Δ PM050	ZYT48-03	24	13.5	NONE	20.1	10.67	510
.50	1800	SS56C/Feet	TEFC	PM000	ZYT42-05	90	5	NONE	21.4	11.81	395
		SS56C/Feet	TEFC	PM008	ZYT42-06	180	2.5	NONE	21.4	11.81	395
		S56C/Feet	TENV	Δ PM047	ZYT48-04	12	39	NONE	24.9	11.67	590
		S56C/Feet	TENV	Δ PM051	ZYT48-05	24	20	NONE	25.2	11.67	590
.75	1800	SS56C/Feet	TEFC	PM032	ZYT42-07	90	7.6	NONE	28.5	13.81	450
		SS56C/Feet	TEFC	PM069	ZYT42-08	180	3.8	NONE	28.2	13.81	450
		S56C/Feet	TEFC	Δ PM048	ZYT48-07	12	58	NONE	26.4	13.31	620
		S56C/Feet	TEFC	Δ PM052	ZYT48-08	24	29	NONE	27.1	12.82	620
1.0	1800	S56C/Feet	TEFC	PM022	ZYT48-19	90	10	NONE	36.0	14.82	500
		S56C/Feet	TEFC	PM023	ZYT48-20	180	5	NONE	36.2	14.82	500
		S56C/Feet	TEFC	Δ PM322	ZYT48-09	12	80	NONE	32.0	13.81	680
		S56C/Feet	TEFC	Δ PM053	ZYT48-10	24	39	NONE	31.0	13.81	680
1.5	1800	145TC/Feet	TEFC	PM262	ZYT48-22	180	7.6	NONE	55	17.39	960
2.0	1800	145TC/feet	TEFC	PM2010	ZYT56-02	180	9.5	NONE	77	19.30	1175
		182/145TC-Feet	TEFC	*PM2001	ZYT56-03	180	9.5	NONE	77	19.34	1175

* PM2001 has 182T base & shaft height (4.5") with 145TC flange / 7/8" shaft

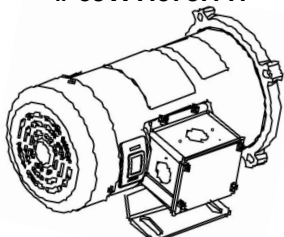
Select replacement brushes by frame size and voltage. **NOTE: Most DC motors require 2 brushes.**

Brush (1 pce.)
 SS56C 90-180V.
5JWT.578.117

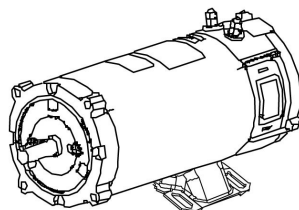
Brush (1 pce.)
 S56C 12V
5JWT.578.127

Brush (1 pce.)
 S56C 90-180V.
5JWT.578.125

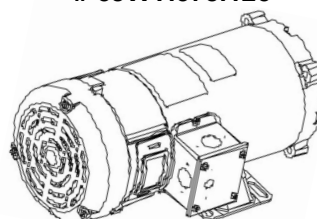
Brush (1 pce.)
 S56C 24V.
5JWT.578.128



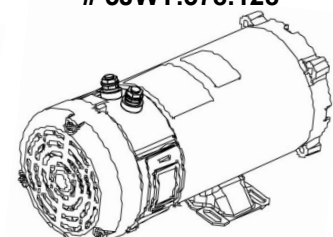
SS56C /Base TEFC
 90-180V DC



S56C/Base TENV
 12-24V DC



S56C/Base TEFC
 90-180V DC



S56C/Base TEFC
 12-24V DC

PREMIUM EFFICIENCY Electronically controlled exhaust fan motors

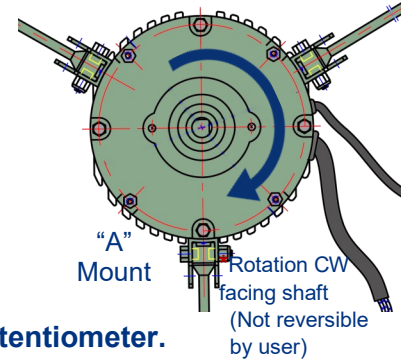
See Video @ https://www.youtube.com/watch?v=QZ7qq18_i3U



EC801, EC847, *EC537



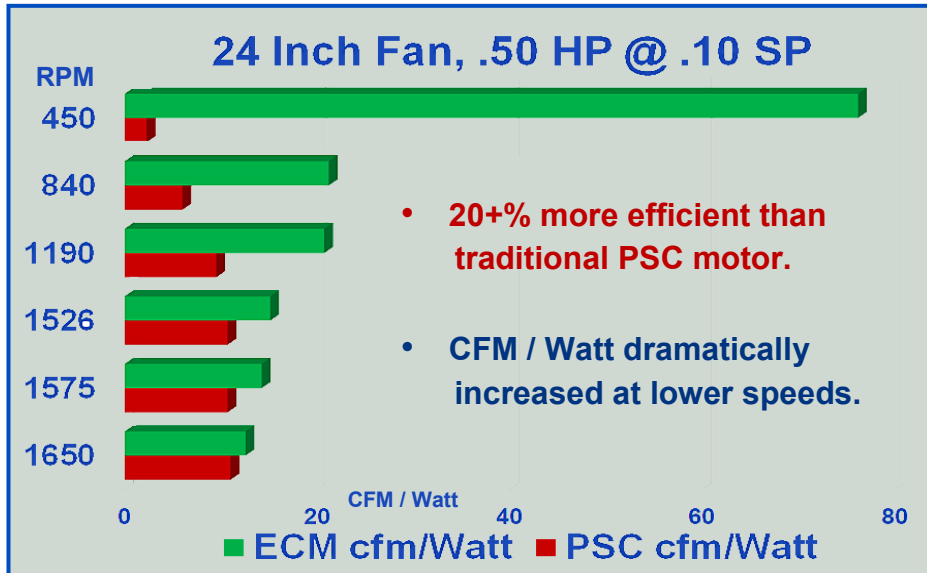
EC911



• Speed controlled by 0-10VDC from fan control, or manual speed potentiometer.

HP	RPM	FRAME	IND#	THERMAL OVERLOAD	VOLTAGE	230V FLA	WGT LB	MOUNT	SHAFT"	FL EFF %	"C" DIM.	LIST		
.50	450-1625	48	EC801	AUTO	115-230	2.5	11.5	M	.5 X 2.5	85.1	11.5	363		
.50	450-1625	48	EC986	AUTO	115-230	2.5	11.5	E	.5 X 2.5	85.1	11.5	363		
.50	450-1625	48	EC911	AUTO	115-230	2.5	11.5	A	.5 X 2.5	85.1	10.8	414		
.75	400-1200	48	EC847	AUTO	115/208-230	4.8	16.0	M	2.5 X .625	84.5	11.5	485		
1.0	300-900	48	*EC537	AUTO	115-230	5.8	21.0	M	2.375X .625	85.0	11.4	543		
Manual Speed Control			EC-20K	Supplied with 8 ft. cable for 0-10 VDC										23

* EC537 rotation is opposite. (CCW facing shaft)



Voltage change switch has removable rubber cover. (Switch factory set for 230V.)

EC-20K Manual Speed Control



- All models have locked bearing and oil seal.
- Suitable for vertical mount.
- Automatic thermal protection UL / EPL
- Large heat sink for efficient heat dissipation.
- IP55 Ingress protection
- Circuit board silicone potted



AGRICULTURAL FAN MOTORS Totally Enclosed - Air Over (TEAO)



1625, 1060, 850 RPM
115/230V, 208-230/460V, 575V.

- PSC design has no mechanical switches
- Low running amps and high power factor
- Class "F" insulation, Class "B" temp. rise
- Epoxy powder coat paint / Upgraded gasketing
- Precision balanced rotor



"M" Base + Ext. thru-bolts



"T" 3 Bracket + Ext. thru-bolts



‡ = 1 Speed Only

* = Premium Efficiency

I = **Inverter Ready**

HP	RPM	FRAME	IND#	THERMAL OVERLOAD	VOLTAGE	230V FLA	WGT LB	MOUNT	SHAFT"	Capacitor	LIST	
.16	3000	3.4"	F217	Automatic	115/230	1.2	8.5	M	.375 X 2.0	OR-56-2.2	229	
.25	1625	48	F799	Automatic	115/230	1.5	18	M	.5 X 2.5	OR-7.5-2.2	243	
		48	F984	Automatic	115/230	1.5	18	E	.5 X 2.5	OR-7.5-2.2	243	
.33	1625	48	F260	Automatic	115/230	1.2	21	M	.5 X 2.5	OR-20-2.5	283	
		48	F800	Automatic	115/230	1.8	19	M	.5 X 2.5	OR-10-2.5	254	
		S56	F816	Automatic	115/230	1.8	19	M	.625 X 1.88	OR-10-2.5	310	
		48	F803	Automatic	115/230	1.8	22	T	.5 X 2.5	OR-10-2.5	270	
		48	F985	Automatic	115/230	1.8	22	E	.5 X 2.5	OR-10-2.5	254	
		48	F261	Automatic	115/230	1.5	24	M	.5 X 2.5	OR-25-3	305	
.50	1060	48	F261T	Automatic	115/230	1.5	24	T	.5 X 2.5	OR-25-3	336	
		S56	F263	Automatic	115/230	1.5	24	M	.625 X 1.88	OR-25-3	350	
.50	1625	48	F801	Automatic	115/230	2.5	21	M	.5 X 2.5	OR-35-3.4	272	
		S56	F817	Automatic	115/230	2.5	21	M	.625 X 1.88	OR-35-3.4	330	
		48	F804	Automatic	115/230	2.5	21	T	.5 X 2.5	OR-35-3.4	280	
		48	F986	Automatic	115/230	2.5	21	E	.5 X 2.5	OR-35-3.4	272	
	1060	48	F946	Automatic	115/230	2.5	27	M	.5 X 2.5	OR-35-3.4	325	
		48	F946T	Automatic	115/230	2.5	27	T	.5 X 2.5	OR-35-3.4	355	
	850	48Z	‡F836	Automatic	115/230	3.0	24	K	.625 X 2	OR-30-3	308	
		48Z	‡F835	Automatic	115/230	3.0	24	E	.625 X 2	OR-30-3	308	
		48Q	‡F838	Automatic	115/230	3.0	25	Q	.625 X 2	OR-30-3	325	
		S56	F280	Automatic	115/230	3.0	25	B	.625 X 2	OR-30-3	320 NEW!	
		48Q	‡T840	NONE	575	1.0	25	Q	.625 X 2	N/A	304	
		48Q	‡T840A	Automatic	575	1.0	25	Q	.625 X 2	N/A	325	
.75	1060	56HZ	F847	Automatic	115/230	3.6	36	M	.625 X 2.625	OR-35-3.4	428	
		3600	56	△ A712	Automatic	115/230	4.1	38	B	.625 X 1.88	TBA	450 NEW!
		1725	56	I *T606	Automatic	575/3	1.2 (575)	42	E	.625 X 1.88	N/A	375
			56	‡I *T635	Automatic	208-230/460	3.0	42	E	.625 X 1.88	N/A	375
1.0	1150	56H	△O‡F161	Automatic	115/230	5.9	45	M	.625 X 1.88	RR-40-3.5	575	
		56L	‡F648	Automatic	230/1	4.6	46	L	.75 X 2.0	RR-25-3	510	
	850	56CZ	‡F644	Automatic	230/1	4.6	45	C	.75 X 3.5	RR-25-3	510	
		56	‡F537	Automatic	230/1	4.6	46	B	.625 X 2	RR-25-3	495	
		56H	‡T540A	Automatic	575/3	1.8 (575)	45	B	.625 X 2.1	N/A	535	
		56H	‡T539A	Automatic	208-230/460	2.1	45	B	.625 X 2.1	N/A	535	

△ = Cap start-cap run

⊙ = Locked bearing

‡ = Non-stock, factory order



"L" = 6 Bracket F648



"C" = C-flange F644



"B" = Rigid base F537
*T540A,*T539A
*= No Capacitor



"K" = Resilient base + Extended thru-bolts F836



"E" = Extended thru-bolts F835, F984 F985, F986 *T606, *T635 * = no capacitor



"Q" = 4-Bracket + Extended thru-bolts F838, *T840, *T840A, *T839A * = No Capacitor

AGRICULTURAL FAN MOTORS - TEAO - PSC - *High Performance*

Benchmark **Variable Speed** Performance

- Water-tight compartment houses wiring, auto thermal, capacitor
- Locked, double sealed bearings for all angle mounting
- Precision balanced rotor
- Oil seal in drive end

Vent-Plus*



“M” = Base+Extended Thru-bolts



“A” = 3 Arm Mount

1625 & 1060 RPM, 1 phase

HP	RPM	FRAME	IND#	THERMAL OVERLOAD	VOLTAGE	230V FLA	WGT LB	MOUNT	SHAFT"	Capacitor	LIST
.25	1625	48	H899	Automatic	115/208-230	1.3	18	M	.5 X 2.5	RPR-25-1.8	266
	1625	48	H909	Automatic	115/208-230	1.3	18	A	.5 X 2.5	RPR-25-1.8	266
	1060	48	f H460	Automatic	115/208-230	1.3	18	M	.5 X 2.5	RPR-20-1.6	303
.33	1625	48	H900	Automatic	115/208-230	1.8	19	M	.5 X 2.5	RPR-25-1.8	284
	1625	48	H910	Automatic	115/208-230	1.8	19	A	.5 X 2.5	RPR-25-1.8	279
	1075	48	H461	Automatic	115/208-230	1.9	21	M	.5 X 2.5	RPR-25-1.8	328
.50	1625	48	H901	Automatic	115/208-230	2.6	22	M	.5 X 2.5	RPR-35-1.8	312
	1625	48	H911	Automatic	115/208-230	2.6	22	A	.5 X 2.5	RPR-35-1.8	312
	1060	48	H611	Automatic	115/208-230	2.6	22	A	.5 X 2.5	RPR-35-1.8	312
	1060	48	f H462	Automatic	115/208-230	2.8	24	M	.5 X 2.5	RPR-35-1.8	359
Mounting arms (each)			HG-12	12 inch arm for 3 arm models (MOUNT "A")							12
Mounting arms (each)			HG-7	7 inch arm for 3 arm models (MOUNT "A")							12

NEW!

f = non-stock, factory order

PEDESTAL FAN - TEAO - PSC

Low amp, Heavy Duty replacement for standard pedestal fan

- z Y970Z - Yoke mounted 3.875" from rear of shaft, fits Schaefer fan
- ▲ Y829 has 115V switch, cord and plug

New Y833 Variable Speed!



v = Variable speed

HP	RPM	FRAME	IND#	THERMAL OVERLOAD	VOLTAGE	230V FLA	WGT LB	MOUNT	SHAFT"	LIST
.25	1650	48Y	Y731	Automatic	115/208-230	1.3	14	PED	.5 X 2.5	240
.33	1650	48Y	Y732	Automatic	115/208-230	1.7	15	PED	.5 X 2.5	270
		48Y	▲ v Y829	Automatic	115	3.4 (115v)	16	PED	.5 X 2.5	300
	1060	48Y	Y892	Automatic	115/208-230	1.5	24	PED	.5 X 2.5	330
.50	1650	48Y	v Y833	Automatic	115/208-230	2.5	21	PED	.5 X 2.5	280
		48YZ	z Y970Z	Automatic	115/208-230	2.3	22	PED	.5 X 2.5	295
	1060	48Y	Y893	Automatic	115/208-230	2.7	27	PED	.5 X 2.5	357

BELT DRIVE FAN - TEAO - 1 Phase & 3 Phase

*Premium Efficiency

- 1 Phase models are Cap Start-Cap run
- Torq® centrifugal and stationary switches
- Precision balanced rotor



A782

I = Inverter Ready



TU02A

⊙ = Locked bearing

HP	RPM	FRAME	IND#	THERMAL OVERLOAD	VOLTAGE 1PH & 3 PH	230V FLA	WGT LB	FL EFF %	“C” DIM.	LIST
.50	1725	56	A580	Automatic	115/208-230	2.2	30	80.6	10.5	350
.75	1725	56H	A581	Automatic	115/208-230	3.4	33	82.0	10.8	396
1	1725	56H	*A782	Automatic	115/208-230	4.3	43	85.0	11.8	411
		56H	*⊙ F161	Automatic	115/230	5.9	49	72.1	13.5	550
1.5	1725	56H	*A594	Automatic	115/208-230	6.8	49	82.0	12.8	495
			*TU03A	Automatic	208-230/460/3	4.4	42	86.5	12.7	500
			*TC03A	Automatic	575/3	1.8	42	86.5	12.7	500
2	1725	145T	*A595	Automatic	230/1	9.5	47	83.0	14.3	510
			* TU02A	Automatic	208-230/460/3	5.5	51	86.5	12.6	560
			* TC02A	Automatic	575/3	2.1	51	86.5	12.6	560

FEATURES

- 2 hole "56N" flange (6-3/8" centre)
- Manual thermal protector
- Wrench extension (7/16 in.) on rear shaft
- "Legacy" heavy duty design & durable steel fan guard
- Overspeed protection for centrifugal switch
- Epoxy powder coat paint – upgraded gasketing



C292 1/2 HP

*K294 1.0 HP

HP	RPM	FRAME	VOLTAGE	IND#	SHAFT"	230V FLA	OVERLOAD	WGT LB	"C" DIM.	LIST
.33	1800	56NY	115/208-230	C291	.5 x 1.5 (w/Flat)	2.9	MAN.	25	11.3	325
.50	1800	56NY	115/208-230	C292	.5 x 1.5 (w/flat)	3.9	MAN.	26	11.3	350
.75	1800	56NY	115/208-230	C293	.5 x 1.5 (w/flat)	5.0	MAN.	30	11.9	390
1.0	1800	56NY	115/208-230	*K294	.625 X 2.0 (w/key)	4.4	MAN.	39	13.1	459
1.5	1800	56NY	115/208-230	K295	.625 X 2.0 (w/key)	9.0	MAN.	43	13.5	500

* = Premium Efficiency

BELTED FAN - PREMIUM EFFICIENCY - 48 FRAME

FEATURES

- High Efficiency split start / cap run
- NEMA 48, Resilient base
- Precision balanced rotor
- Very quiet, smooth operation
- Design B *starting* torque for all fan loads

*Vent-Plus**



B602, B405

NEW!



OB033

HP	RPM	FRAME	VOLTAGE	IND#	115V FLA	OVERLOAD	FL EFF %	WGT LB	"C" DIM.	LIST
.25	1800	48	115	B602	2.5	AUTO	71.0	18	9.88	263
.33	1800	48	115	B405	3.2	AUTO	75.0	19	9.88	276
.50	1800	48	115	Δ B585	4.6	AUTO	76.0	24	10.50	333

Δ = Cap start-cap run

OIL BURNER MOTOR

NEW!

NOTE: STANDARD ROTATION CW FACING LEAD END. (Not reversible)

.33	3450	56N	115	OB033	4.2	MAN.	66.0	14.5	8.6	255
-----	------	-----	-----	--------------	-----	------	------	------	-----	-----

INSTANT REVERSING - 56 FRAME - ODP

FEATURES

- 115V Permanent Split Capacitor
- Switchless
- Resilient base
- Manual reset overload protection
- Capable of frequent stop/start/reverse

Premium low-amp replacement for parking gates, sliding gates and overhead doors.

Δ = 60 minute duty



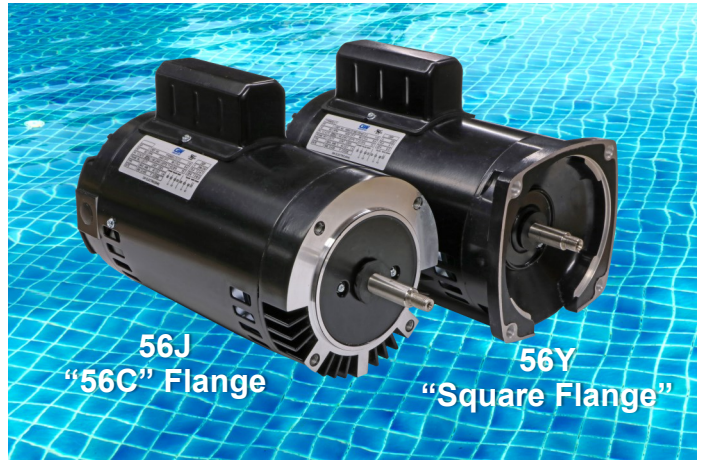
HP	RPM	FRAME	VOLTAGE	IND#	115V FLA	OVERLOAD	WGT LB	MOUNTING	"C" DIMENSION (IN.)	LIST
.33	1725	S56	115	R231	4.6	MAN.	18	R	10.31	279
.50	1725	S56	115	Δ R241	5.8	MAN.	20	R	10.31	330



POOL PUMP MOTORS 56J & 56Y Threaded Shaft

ENERGY \$AVING

- Reliable “Switchless” PSC Design
- Threaded Shaft - 304 Stainless
- Non-conductive Internal Splash Guard
- 6204 locked bearing
- Internal cooling fan
- Heavy grounding lug

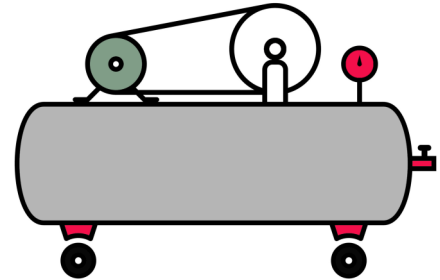


HP	RPM	FRAME	IND#	THERMAL	VOLTAGE	S.F.	115V SFA	230V SFA	WGT LB	LIST
1.0	3450	56J	PP5652C d YYN5652-L7C	Auto	115/230	1.4	13.0	6.5	33	331
		56Y	PP5652SQ d YYN5652-L7	Auto	115/230	1.4	13.0	6.5	33	331
1.5	3450	56J	PP5672C d YYN5672-L7C	Auto	115/208-230	1.3	15.6	7.8	40	345
		56Y	PP5672SQ D YYN5672-L7	Auto	115/208-230	1.3	15.6	7.8	40	345

d = Discontinued

* COMPRESSOR DUTY MOTORS 1 Phase - ODP 56H-56HZ

- Reduced starting amps
- 208-230 Volt rated
- Cap start - Cap run
- Manual thermal overload
- 56H/140T dual base
- Class F insulation



* Designed for use on compressor duty. Use in other applications voids warranty.

NOTE: Rotation CCW facing shaft (non reversible)

HP	RPM	FRAME	IND#	THERMAL	VOLTAGE	S.F.	FLA 230V	SHAFT	WGT LB	LIST
5 SPL	3450	56H	56S34D3.5MA	MAN.	208-230/1	1.0	16.2	.625 X 2.25	36.5	407
5.0	3450	56HZ	56S34D5MA	MAN.	208/230/1	1.0	22.0	.875 X 2.25	40	510

“DROP-IN” OEM REPLACEMENT
FOR COMMON 3450 RPM
“PORTABLE” AIR COMPRESSORS



5 HP SPL



5.0 HP



STAINLESS STEEL - Washdown Duty - IP69K Enclosure



FEATURES:

- IP69K Enclosure
- Conduit box: 3-piece welded, rotatable
- Easy to clean Ra1 (N1) "Mirror-polished" finish



AG-I Inverter Ready
*NEMA MG1 Part 30



1.0 S.F. @ 208V. or 50Hz

Assembled in Canada

HP	RPM	FRAME	ENCL	575V		208-230/460V		WGT LB	"C" DIM.	LIST	
				IND#	FLA	IND#	FLA 230V				
0.33	3600	56C/No FT.	TENV	SS132CNC	0.38	SS132UNC	1.0	28	10.76	705	
		56C/FT.		SS132CN	0.38	SS132UN	1.0	28.3	10.76	705	
	1800	56C/No FT.		SS134CNC	0.5	SS134UNC	1.3	29	9.78	671	
		56C/FT.		SS134CN	0.5	SS134UN	1.42	31	10.76	671	
0.50	3600	56C/No FT.	TENV	SS122CNC	0.56	SS122UNC	1.58	28	10.76	724	
		56C/FT.		SS122CN	0.56	SS122UN	1.58	28	10.76	724	
		56C/No FT.	TEFC	SS122CFC	0.56	SS122UFC	1.58	28	11.16	658	
				56C/FT.	SS122CF	0.56	SS122UF	1.58	28	11.16	658
	1800	TENV	56C/No FT.	SS124CNC	0.72	SS124UNC	1.91	33	10.76	689	
			56C/FT.	SS124CN	0.72	SS124UN	1.91	34	10.76	689	
.75	3600	56C/No FT.	TENV	SS342CNC	0.82	SS342UNC	2.02	30	11.16	762	
		56C/FT.		SS342CN	0.82	SS342UN	2.02	30.3	11.16	762	
		56C/No FT.	TEFC	SS342CFC	0.82	SS342UFC	2.02	30	12.16	692	
				56C/FT.	SS342CF	0.82	SS342UF	2.02	30.3	12.16	692
	1800	TENV	56C/No FT.	SS344CNC	1.0	SS344UNC	1.8	36	11.16	725	
			56C/FT.	SS344CN	1.0	SS344UN	1.8	37	11.16	725	
		56C/No FT.	TEFC	SS344CFC	1.0	SS344UFC	1.8	37	12.16	659	
				56C/FT.	SS344CF	1.0	SS344UF	1.8	37	12.16	659
1.0	3600	56C/No FT.	TENV	SS12CNC	1.15	SS12UNC	2.87	36	11.16	837	
		56C/FT.		SS12CN	1.15	SS12UN	2.87	36	11.16	837	
		143TC/No FT.		SS12CNTC	1.15	SS12UNTC	2.87	36	11.16	866	
		143TC/FT.		SS12CNT	1.15	SS12UNT	2.87	36	11.16	866	
		56C/No FT.	TEFC	SS12CFC	1.15	SS12UFC	2.87	36	12.16	761	
				56C/FT.	SS12CF	1.15	SS12UF	2.87	36	12.16	761
				143TC/No FT.	SS12CFTC	1.15	SS12UFTC	2.87	36	12.16	791
				143TC/FT.	SS12CFT	1.15	SS12UFT	2.87	36	12.16	791
	1800	TENV	56C/No FT.	SS14CNC	1.25	SS14UNC	3.25	40	11.16	797	
			56C/FT.	SS14CN	1.25	SS14UN	3.25	40	11.16	797	
			143TC/No FT.	SS14CNTC	1.25	SS14UNTC	3.25	40	11.16	824	
			143TC/FT.	SS14CNT	1.25	SS14UNT	3.25	40	11.16	824	
		56HC/FT.	TEFC	SS14CFH	1.25	SS14UFH	3.25	40	12.16	725	
				143TC/FT.	SS14CFT	1.25	SS14UFT	3.25	40	12.16	749

* Meets NEMA MG1 Part 30. Use of a closed-loop vector drive allows extended speed range for CT & VT applications.



STAINLESS STEEL - Washdown Duty - IP69K - IP69K Enclosure



1.0 S.F. @ 208V. or 50Hz

HP	RPM	FRAME	ENCL	575V		208-230/460V		WGT LB	"C" DIM.	LIST
				IND#	FLA	IND#	FLA 230V			
1.5	3600	56C/No FT.	TEFC	SS1.52CFC	1.83	SS1.52UFC	4.23	37	13.34	791
		56C/FT.		SS1.52CF	1.83	SS1.52UF	4.23	37.3	13.34	791
		145TC/No FT.		SS1.52CFTC	1.83	SS1.52UFTC	4.23	37	13.34	813
		145TC/FT.		SS1.52CFT	1.83	SS1.52UFT	4.23	37.3	13.34	813
	1800	56C/No FT.		SS1.54CFC	1.71	SS1.54UFC	4.92	43	13.34	753
		56C/FT.		SS1.54CF	1.71	SS1.54UF	4.92	43	13.34	753
		145TC/No FT.		SS1.54CFTC	1.71	SS1.54UFTC	4.92	44	13.66	774
		145TC/FT.		SS1.54CFT	1.71	SS1.54UFT	4.92	45	13.66	774
2.0	3600	56C/No FT.	TEFC	SS22CFC	2.45	SS22UFC	5.41	43	14.12	830
		56C/FT.		SS22CF	2.45	SS22UF	5.41	43.4	14.12	830
		145TC/No FT.		SS22CFTC	2.45	SS22UFTC	5.41	43	14.12	869
		145TC/FT.		SS22CFT	2.45	SS22UFT	5.41	43.4	14.12	869
	1800	56C/FT.		SS24CFH	2.28	SS24UFH	6.42	47	14.12	790
		145TC/No FT.		SS24CFTC	2.28	SS24UFTC	6.42	48	14.45	827
		145TC/FT.		SS24CFT	2.28	SS24UFT	6.42	49	14.45	827
3.0	3600	56C/FT.	TEFC	SS32CFH	3.45	SS32UFH	8.62	51	15.5	1260
		145TC/FT.		SS32CFT	3.45	SS32UFT	8.62	51	15.5	1290
		182TC/ FT.		SS32CF	3.42	SS32UF	8.43	51.4	16.93	1411
	1800	145TC/FT.		SS34CFT	3.39	SS34UFT	8.48	58	15.50	1229
		182TC/FT.		SS34CF	3.22	SS34UF	8.85	80	16.93	1341
5.0	3600	184TC/No FT.	TEFC	SS52CFC	5.52	SS52UFC	13.36	90	17.72	1515
		184TC/FT.		SS52CF	5.52	SS52UF	13.36	95	17.72	1515
	1800	184TC/FT.		SS54CF	5.37	SS54UF	13.42	100	17.72	1443
7.5	3600	213TC/FT.	TEFC	SS7.52CF	7.39	SS7.52UF	18.46	110	19.45	2676
	1800	213TC/FT.		SS7.54CF	7.48	SS7.54UF	18.75	157	19.45	2548

Oil & moisture resistant coating on windings and rotor

Food-grade hi-temp Silicon O-Rings on conduit box, thru-bolts, endbells

Easy to clean Ra1 (N1) "Mirror-polished" finish

**Class F insulation
Class B temperature rise**

KFM Hi-Temperature, chemical resistant seals.

* Meets NEMA MG1 Part 30. Use of a closed-loop vector drive allows extended speed range for CT & VT applications.
AG-I MotorTec Inc. PH. 519-941-6832 FAX 519-941-6834 www.ag-industrie.com



CHASSIS CONTROLS FOR PMDC MOTORS

SCR 115/230V. CHASSIS



The **LGC series** is a versatile drive for 90/180 VDC brushed DC or shunt wound motors. Standard features: On-board trim pots for max/min speed, accel/decel, current limit, speed regulation, & field supply for shunt-wound motors. Switchable 115/230V input!



[LGC400-10](#)



[LGM103-10](#)



[MGC403-11](#)

RATINGS - 115/230/1/60 VAC INPUT, 0-90, 0-180 VDC OUTPUT

MODEL	W/O HEAT SINK 90 VDC		WITH HEAT SINK 90 VDC		W/O HEAT SINK 180 VDC		WITH HEAT SINK 180VDC		LIST
	MAX. HP	MAX. AMPS	MAX. HP	MAX. AMPS	MAX. HP	MAX. AMPS	MAX. HP	MAX. AMPS	
LGC400-10	.5	5.0	1.0	10.0	1.0	5.0	2.0	10.0	206
HEAT SINK NO. 223-0159				MOUNTING DIMENSIONS: 2.5" L X 3.8" W (63 mm L X 97 mm W)					79

FEATURES

- Selectable open or close to inhibit
- Inhibit to zero or minimum speed
- Selectable Torque or Speed mode operation
- Potentiometer Kit 202-0031 is included with LGD400-10

MODEL	W/O HEAT SINK 90 VDC		WITH HEAT SINK 90 VDC		W/O HEAT SINK 180 VDC		WITH HEAT SINK 180VDC		LIST
	MAX. HP	MAX. AMPS	MAX. HP	MAX. AMPS	MAX. HP	MAX. AMPS	MAX. HP	MAX. AMPS	
LGD400-10	.5	5.0	1.0	10.0	1.0	5.0	2.0	10.0	206
HEAT SINK NO. 223-0159				MOUNTING DIMENSIONS: 2.5" L X 3.8" W (63 mm L X 97 mm W)					79

FEATURES

- Separate models for 115 or 230 VAC power supply
- isolated inputs accept various input sources for inhibit
- Accepts grounded 4-20 mA or 0-10 VDC signal
- Status LEDs allow for convenient monitoring

MODEL	W/O HEAT SINK 90 VDC		WITH HEAT SINK 90 VDC		W/O HEAT SINK 180 VDC		WITH HEAT SINK 180VDC		LIST
	MAX. HP	MAX. AMPS	MAX. HP	MAX. AMPS	MAX. HP	MAX. AMPS	MAX. HP	MAX. AMPS	
LGM103-10	.50	5	1.0	10					501
LGM303-10					1.0	5.0	2.0	10.0	530
HEAT SINK NO. 223-0159				MOUNTING DIMENSIONS: 2.5" L X 3.8" W (63 mm L X 97 mm W)					79

REGEN CHASSIS DRIVE

FEATURES

- 4-Quadrant contactor-less braking / instant reversing
- 3-Wire Start/Stop: Inhibit and Enable
- Custom programmable for OEMs
- Modes: Speed, torque, linear torque, cycling, positioning

RATINGS - 115/230/1/60 VAC INPUT, 0-90, 0-180 VDC OUTPUT

MODEL	W/O HEAT SINK 90 VDC		WITH HEAT SINK 90 VDC		W/O HEAT SINK 180 VDC		WITH HEAT SINK 180VDC		LIST
	MAX. HP	MAX. AMPS	MAX. HP	MAX. AMPS	MAX. HP	MAX. AMPS	MAX. HP	MAX. AMPS	
MGC403-11	.75	8.0	1.0	11.0	1.5	8.0	2.0	11.0	394
HEAT SINK NO. 223-0159				MOUNTING DIMENSIONS: 2.5" L X 3.8" W (63 mm L X 97 mm W)					79

PWM CHASSIS DRIVE

FEATURES

- 4-Quadrant contactor-less braking / instant reversing
- Isolated inputs: Accepts: $f_0 \pm 5$ VDC, 0 ± 10 VDC or 4-20 mA.
- Modes: Speed, torque, linear torque, cycling, positioning
- Custom programmable for OEM's.

PMB703-7



RATINGS - 115/230/1/60 VAC INPUT, 0-90, 0-130, 0-180 VDC OUTPUT

MODEL	90 VDC		130 VDC		180 VDC		NOTE	LIST
	MAX. HP	MAX. AMPS	MAX. HP	MAX. AMPS	MAX. HP	MAX. AMPS		
PMB703-7	.66	5.5/7.0*	1.0	5.5/7.0*	1.33	5.5/7.0*	*When mounted to allow upwards air-flow through the heat sink fins. De-rate to 5.5 amps when mounted in any other configuration	907
HEAT SINK NO. - N/A				MOUNTING DIMENSIONS: 5.5" L X 5.16" W (140 mm L X 131 mm W)				

FEATURES NEMA 1 DRIVES - Unidirectional & Reversing

- **NEMA 1 Enclosure:** Prevents accidental contact with the circuit board
- **Field Supply:** Voltage output to energize the field winding of a shunt-wound motor
- **Diagnostic LEDs:** Current Limit
- **Case LEDs:** Power
- **Pre-Wired Switches:** ON/OFF
- **Stopping Modes:** Inhibit (N.O.) for coasting to a stop. Can be used for frequent starting and stopping



[LGC410-10](#)
[LGD410-10](#)



[LGC430-10](#)
[LGD430-10](#)

RATINGS - 115/230/1/60 VAC INPUT, 0-90, 0-180 VDC OUTPUT

MODEL	W/O HEAT SINK 90 VDC		WITH HEAT SINK 90 VDC		W/O HEAT SINK 180 VDC		WITH HEAT SINK 180VDC		LIST
	MAX. HP	MAX. AMPS	MAX. HP	MAX. AMPS	MAX. HP	MAX. AMPS	MAX. HP	MAX. AMPS	
LGC410-10 Unidirectional	.5	5.0	1.0	10.0	1.0	5.0	2.0	10.0	409
	HEAT SINK NO. 223-0174				OUTSIDE DIMENSIONS: 8.0" H X 6.0" W (203 mm H x 125 mm W)				102
LGC430-10 Reversing	.5	5.0	1.0	10.0	1.0	5.0	2.0	10.0	533
	HEAT SINK NO. 223-0174				OUTSIDE DIMENSIONS: 8.0" H X 6.0" W (203 mm H x 125 mm W)				102

FEATURES

- Selectable open or close to inhibit
- Inhibit to zero or minimum speed
- Selectable Torque or Speed mode operation
- Remote Signal: 0-2.5 VDC

MODEL	W/O HEAT SINK 90 VDC		WITH HEAT SINK 90 VDC		W/O HEAT SINK 180 VDC		WITH HEAT SINK 180VDC		LIST
	MAX. HP	MAX. AMPS	MAX. HP	MAX. AMPS	MAX. HP	MAX. AMPS	MAX. HP	MAX. AMPS	
LGD410-10 Unidirectional	.5	5.0	1.0	10.0	1.0	5.0	2.0	10.0	437
	HEAT SINK NO. 223-0174				OUTSIDE DIMENSIONS: 8.0" H X 6.0" W (203 mm H x 125 mm W)				
LGD430-10 Reversing	.5	5.0	1.0	10.0	1.0	5.0	2.0	10.0	531
	HEAT SINK NO. 223-0174				OUTSIDE DIMENSIONS: 8.0" H X 6.0" W (203 mm H x 125 mm W)				102

NEMA 1 REGENERATIVE DRIVE

FEATURES

- **4Q Reversing:** Regenerative / 4-Quadrant drives have the ability to perform quick contactor-less braking and/or reversing-on-the-fly/inhibit to zero or minimum speed
- **Tach Feedback:** Accepts tachogenerator feedback for tighter speed regulation
- **Diagnostic LEDs:** Power, Forward Current Limit, Reverse Current Limit, Forward Direction, Reverse Direction
- **Field Supply Voltage** output for shunt-wound motor



MODEL	W/O HEAT SINK 90 VDC		WITH HEAT SINK 90 VDC		W/O HEAT SINK 180 VDC		WITH HEAT SINK 180VDC		LIST
	MAX. HP	MAX. AMPS	MAX. HP	MAX. AMPS	MAX. HP	MAX. AMPS	MAX. HP	MAX. AMPS	
RGD410-10 Regenerative	.5	5.0	1.0	10.0	1.0	5.0	2.0	10.0	998
	HEAT SINK NO. 223-0174				OUTSIDE DIMENSIONS: 8.0" H X 6.0" W (203 mm H x 125 mm W)				102



NEMA 4X CASED SCR FOR PMDC MOTORS



[PAT440-10](#)
[PAT450-10](#)
(Plastic Enclosure)



[LGC440-10](#)
[LGP443-10](#)
(Metal Enclosure)

FEATURES

- NEMA 4X METAL Enclosure: Water resistant and dust proof enclosure
- NEMA 4X PLASTIC Enclosure: Plastic corrosion resistant weatherproof enclosure that protects against dirt and splashing
- Factory installed heat sink
- Reversing or non-reversing
- Diagnostic LEDs: Current Limit, Power
- Field supply for shunt wound
- Pre-Wired Switches: ON/OFF
- Inhibit (N.O) for coasting to a stop. Can be used for frequent starting and stopping

RATINGS - 115/230/1/60 VAC INPUT, 0-90, 0-180 VDC OUTPUT

MODEL	W/O HEAT SINK 90 VDC		WITH HEAT SINK 90 VDC		W/O HEAT SINK 180 VDC		WITH HEAT SINK 180VDC		LIST
	MAX. HP	MAX. AMPS	MAX. HP	MAX. AMPS	MAX. HP	MAX. AMPS	MAX. HP	MAX. AMPS	
PAT440-10 Unidirectional	Heat sink included		1.0	10.0	Heatsink included		2.0	10.0	535
LGC440-10 Unidirectional			1.0	10.0			2.0	10.0	658
PAT450-10 Reversing			.75	10.0			1.5	10.0	714

MOUNTING DIMENSIONS: 5.5" L X 5.16" W (140mm L X 131mm W)

FEATURES

- NEMA 4X METAL Enclosure: Water resistant and dust proof enclosure
- Isolated: Accepts grounded 0-10VDC or 4-20 mA
- Manual /Signal / Ratio Mode: Jumper selectable to follow a potentiometer, and analog signal, or an analog signal with a potentiometer to set a ratio

RATINGS - 115/230/1/60 VAC INPUT, 0-90, 0-180 VDC OUTPUT

MODEL	W/O HEAT SINK 90 VDC		WITH HEAT SINK 90 VDC		W/O HEAT SINK 180 VDC		WITH HEAT SINK 180VDC		LIST
	MAX. HP	MAX. AMPS	MAX. HP	MAX. AMPS	MAX. HP	MAX. AMPS	MAX. HP	MAX. AMPS	
LGP443-10 Unidirectional	Heat sink included		.75	10.0	Heatsink included		1.5	10.0	1031

MOUNTING DIMENSIONS: 5.5" L X 5.16" W (140mm L X 131mm W)

FEATURES

- Factory installed heat sink
- Reversing or non-reversing
- Diagnostic LEDs: Current Limit, Power
- Field supply for shunt wound
- Jog Mode: Dedicated circuitry for a jog setup
- Pre-Wired Switches: ON/OFF
- Inhibit (N.O) for coasting to a stop. Can be used for frequent starting and stopping

[PWL440-10](#)



RATINGS - 115/230/1/60 VAC INPUT, 0-90, 0-130, 0-180 VDC OUTPUT

MODEL	90 VDC		130 VDC		180 VDC		LIST
	MAX. HP	MAX. AMPS	MAX. HP	MAX. AMPS	MAX. HP	MAX. AMPS	
PWL440-10	1.0	10.0	1.5	10.0	3.0	5.5/7.0*	1166

HEAT SINK NO. - N/A

MOUNTING DIMENSIONS: 7.0" L X 6.3" W (178 mm L X 160 mm W)

All ACE products are designed and built in their United States facility, which is both ISO 9001:2008 registered and UL508A certified. In addition, ACE controls are listed with the following approval organizations.





ACE DC DRIVES CROSS REFERENCE



This page is a tool to help cross other DC drives to ACE / Minarik DC Drives. This cross reference includes some of the more common drives from manufacturers such as KB Electronics, Dart Controls, Baldor, Bodine, and Grainger. The cross reference isn't always exact. Contact AG-I if your drive isn't listed below, or if you have questions about the differences between drives.

KB Electronics™ → Minarik Drives

KBBC Series	→	DC30-12/24-4Q
KBIC Series	→	MM23001C
KBMD Series	→	MM23101C or MM23201C
KBMG Series	→	RG60U
KBMM Series	→	MM23001C
KBPB Series	→	RG60U
KBSI-240D	→	PCM4
KBRG-212D	→	RG500UA
KBRG-240D	→	RG500UA
KBRG-255	→	RG5500U
KBWD Series	→	MMXL Series
SI Series	→	Models starting with "PCM"

Grainger® → Minarik Drives

2M510	→	MM23001C
2M511	→	MC10
5JJ51	→	DC30-12/24-4Q
5JJ56	→	MM31750B
5JJ57	→	MM31750B
5JJ58	→	MM23101C
5JJ59	→	MM23021C
6Z385	→	MM23001C
6Z386	→	MC10
6Z387	→	MM23002D
6Z388	→	MC10

Baldor® → Minarik Drives

BC140	→	MM23101C
BC140-FBR	→	MM23201C
BC141	→	MM23001C
BC142	→	MM23001C
BC155	→	MM501U
BC154	→	MC10
BCWD140	→	MC10-R
BC200	→	RG500UA
BC202	→	RG500UA
BC203	→	RG5500U
BC204	→	RG60U
BC254	→	RG500A
BC354	→	C4XL3200A

A.C.E. → Minarik Drives

ELC110-5	→	C1EC2
LGC400-10	→	MM23001C
LGC410-1.5	→	MM23111C
LGC410-10	→	MM23101C
LGC430-10	→	MM23201C
LGC440-10	→	MM23401C
LGD400-10	→	MM23002D
LGD410-1.5	→	MM23112D
LGD410-10	→	MM23102D
LGD430-1.5	→	MM23212D
LGD430-10	→	MM23202D
LGM103-10	→	MM10-115AC-PCM
LGP101-10	→	PCM21000A
LGP443-10	→	PCM23401A
MGB400-11	→	MGB400-11-00MD
MGC403-11	→	MGC403-11-00MD
MHS403-10	→	MM301U
PAT440-10	→	MC10
SPM100-3-PT3	→	RD16U

Dart Controls™ → Minarik Drives

125DV-C	→	MM23001C or MM23001C-Q
15DV Series	→	MM31750B
253G-200C	→	MM23001C
253G-200E	→	MM23401C or MC10
530BC	→	MM23002D
530BRE	→	MC10
VSI	→	PCM4
MD Series	→	DLC600 & drive

Bodine® → Minarik Drives

0780	→	MMXL02-D240AC
0781	→	MMXL05-D240AC
0790	→	C1XP01-115AC-A
0791	→	C1XP03-115AC-A
0865	→	MM23001C
0867	→	MM23101C
1865	→	MC10

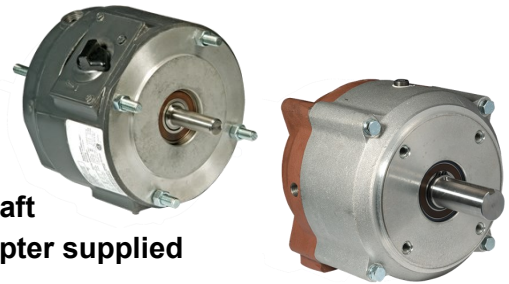


COUPLER BRAKES

GENERAL PURPOSE IP23 COUPLER BRAKES



- Mounts between motor and driven load
- Rugged cast iron & aluminum construction
- Designed to be “C face” connected at both ends
- IP23 construction suitable for indoor use
- **Note:** Not suited for overhung loads applied to the output shaft
- 6 ft/lb brake can be used with either 56 or 140TC mount (adapter supplied with brake)



IND No. 115/208-230V Single Phase	IND No. 208-230/460V Three Phase	IND No. 575V Three Phase	Brake Rating (ft/lbs)	Max HP @ 1725 RPM	Mounts to NEMA Frame	Brake Output Shaft and C Face	Add to Motor “C” Dim	LIST
ST 1-056-711-05-PF	ST 1-056-711-05-QF	ST 1-056-711-05-NF	3	1/2	56C	.625”/56C	5.0”	573
ST 1-056-721-05-PF	ST 1-056-721-05-QF	ST 1-056-721-05-NF	6	1	56C	.625”/56C	5.0”	648
ST 1-056-731-07-PF	ST 1-056-731-07-QF	ST 1-056-731-07-NF	10	2	56C/140TC	.875”/140TC	5.0”	763
ST 1-056-731-07-PF	ST 1-056-731-05-QF	ST 1-056-731-05-NF	10	2	56C/56C	.625”/56C	5.0”	763
ST 1-087-721-01-PG	ST 1-087-721-01-QG	ST 1-087-721-01-NG	15	3	180TC	1.125”/180TC	8.38”	2891
ST 1-087-731-01-PG	ST 1-087-731-01-QG	ST 1-087-731-01-NG	25	5	180TC	1.125”/180TC	8.38”	2983

Stearns Coupler Brakes also available in IP55 washdown (Type 4X BISSC Certified)
Call for pricing and availability.

56,000 SERIES: SOLENOID ACTUATED BRAKES



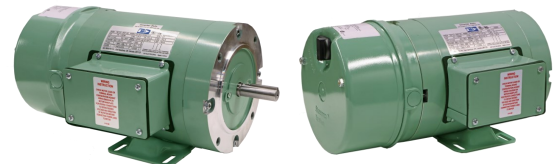
For industrial applications requiring high performance in a compact light-weight package.

- Mounts on 56C face with 5/8” shaft
- Spring-set electrically released
- Adjustable torque, down to 50% of rated nameplate torque
- Manual wear adjustment
- Airgap adjust gage
- Splined hub
- Universal mounting through 15 lb-ft.

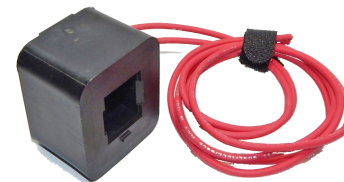


[TENV Integrated
Brakemotors
on page 4](#)

AG-I IND No.	VOLTS	LB-FT	LIST
ST 1-056-011-00-BNF	575V.	3	409
ST 1-056-011-00-BQF	230/460V.	3	409
ST 1-056-011-00-BPF	115/230V.	3	409
ST 1-056-021-00-BNF	575V.	6	468
ST 1-056-021-00-BQF	230/460V.	6	468
ST 1-056-021-00-BPF	115/230V.	6	468



**Replacement coils and discs
in stock! See page 18**





BRAKE PARTS COILS, STATIONARY, & FRICTION DISCS



Stearns®

REPLACEMENT COILS

BRAKE TYPE	TORQUE	FOR BRAKE #	VOLTAGE	COIL IND#	DESCRIPTION	LIST
Coupler	3 lb-ft.	ST 1-056-711-05-NF	575	ST 596647974	NO.4 COIL KIT	369
Solenoid	3 lb-ft.	ST 1-056-011-00-BNF	575	ST 596647974	NO.4 COIL KIT	369
Coupler	3 lb-ft.	ST 1-056-711-05-PF	115/230	ST 596647959	NO.4 COIL KIT	621
Solenoid	3 lb-ft.	ST 1-056-011-00-BPF	115/230	ST 596647959	NO.4 COIL KIT	621
Coupler	3 lb-ft.	ST 1-056-711-05-QF	230/460	ST 596647970	NO.4 COIL KIT	667
Solenoid	3 lb-ft.	ST 1-056-011-00-BQF	230/460	ST 596647970	NO.4 COIL KIT	667
Coupler	6 lb-ft.	ST 1-056-721-05-NF	575	ST 596647974	K4 COIL KIT	369
Coupler	10 lb-ft.	ST 1-056-731-05-NF	575	ST 596647974	K4 COIL KIT	369
Solenoid	6 lb-ft.	ST 1-056-021-00-BNF	575	ST 596647974	K4 COIL KIT	369
Coupler	6 lb-ft.	ST 1-056-721-05-PF	115/230	ST 596647959	K4 COIL KIT	621
Coupler	10 lb-ft.	ST 1-056-731-05-PF	115/230	ST 596647959	K4 COIL KIT	621
Solenoid	6 lb-ft.	ST 1-056-021-00-BPF	115/230	ST 596647959	K4 COIL KIT	621
Coupler	6 lb-ft.	ST 1-056-721-05-QF	230/460	ST 596647970	K4 COIL KIT	667
Coupler	10 lb-ft.	ST 1-056-731-05-QF	230/460	ST 596647970	K4 COIL KIT	667
Solenoid	6 lb-ft.	ST 1-056-021-00-BQF	230/460	ST 596647970	K4 COIL KIT	667
Coupler	15 lb-ft.	ST 1-087-721-01-NG	575	ST 596660951	NO. 6 COIL KIT	992
Coupler	15 lb-ft.	ST 1-087-721-01-PG	115/230	ST 596660938	NO. 6 COIL KIT	784
Coupler	15 lb-ft.	ST 1-087-721-01-QG	230/460	ST 596660949	NO. 6 COIL KIT	848
Coupler	25 lb-ft.	ST 1-087-731-01-NG	575	ST 596660951	NO. 6 COIL KIT	992
Coupler	25 lb-ft.	ST 1-087-731-01-PG	115/230	ST 596660938	NO. 6 COIL KIT	784
Coupler	25 lb-ft.	ST 1-087-731-01-QG	230/460	ST 596660949	NO. 6 COIL KIT	848

STATIONARY AND FRICTION DISCS

BRAKE TYPE	TORQUE	STATIONARY DISC	IND#	LIST	FRICTION DISC	IND#	LIST
Coupler	3 lb-ft.	DISC KIT - 1 DISC	ST 566835400	145	KIT-1 DISC, 2 SPINGS	ST 566846200	266
Coupler	6 lb-ft.	DISC KIT - 1 DISC	ST 566835400	145	KIT-1 DISC, 2 SPINGS	ST 566846200	266
Solenoid	3 lb-ft.	DISC KIT - 1 DISC	ST 566835400	145	KIT-1 DISC, 2 SPINGS	ST 566846200	266
Solenoid	6 lb-ft.	DISC KIT - 1 DISC	ST 566835400	145	KIT-1 DISC, 2 SPINGS	ST 566846200	266
Coupler	10 lb-ft.	DISC KIT - 2 DISC	ST 566835500	277	KIT-1 DISC, 2 SPINGS	ST 566846200	266
Coupler	15 / 25 lb-ft.	N/A	N/A	N/A	KIT - 1 DISC	ST 566847200	363

TECO AC FREQUENCY DRIVES

A510 HEAVY DUTY AC DRIVE - NEMA 1

- 1 to 100 HP (CT), 1 to 125 HP (VT), 230V, 50/60Hz, 3 Phase
- 1 to 200 HP (CT), 1 to 250 HP (VT), 460V, 50/60Hz, 3 Phase
- 1 to 10 HP (CT/VT) 575V, 50/60Hz, 3 Phase
- 15 to 250 HP (CT), 15 to 270 HP (VT) 690V, 50/60Hz, 3 Phase
- Control modes for V/F, V/F w/ PG feedback, Sensorless Vector & Closed Loop Vector
- Simple PLC Function Built-in
- Advanced Regenerative Load Handling Capability
- Conformal Coating on PC Boards
- Remotely Mountable LCD Keypad



A510 Control for today's demanding motor driven applications.



Contact AG-I MotorTec for Price and Delivery on these and other TECO drive products



RIGHT ANGLE GEAR REDUCERS - Cast Iron Housing



KFM
Hi-Temp
seals
on shafts



"O" Rings
& gaskets
under
covers



Mounting dimensions interchangeable with most industry standard reducers

- AGMA center distances 1.33" to 3.25"
- NEMA 56C to 210TC Input
- Competitive torque ratings
- Ratios 7.5:1 to 60:1, .25 to 7.5 HP
- Heavy duty cast iron housing
- Permanent synthetic oil
- Easy left / right handing change
- Stainless steel nameplate

NOMENCLATURE EXAMPLE - PART NUMBER = "W2063056BQL"

TYPE RA WORM	SIZE (CENTRE DISTANCE)	SINGLE REDUCTION RATIO (:1)	INPUT (NEMA FRAME SIZE)	*STYLE	OUTPUT (ASSEMBLY)
W	206	30	56C	BQ	L

AVAILABLE OPTIONS

TYPE	SIZE (CENTRE DISTANCE)	SINGLE REDUCTION RATIO (:1)	INPUT (NEMA FRAME SIZE)	*STYLE	OUTPUT (ASSEMBLY)
W	1.33"	7.5	56C 143 / 145TC 182 / 184TC 213 / 215TC	SEE TABLES BELOW*	L (SINGLE LEFT) R (SINGLE RIGHT)
	1.54"	10			
	1.75"	15			
	2.06"	20			
	2.37"	30			
	2.62"	40			
	3.00"	50			
	3.25"	60			

*STYLE DESCRIPTION

QUILL (HOLLOW) FLANGED INPUT

*STYLE	DESCRIPTION
BQ	No base
TQ	Horizontal base, worm over
UQ	Horizontal base, worm under

LIST PRICES - BASIC UNITS / BASE KITS

STYLE/SIZE	133	154	175	206	237	262	300	325
BQ	398	443	484	578	668	822	1019	1191
TQ	424	471	513	608	700	855	1053	1227
HORIZONTAL BASE KIT	26	28	29	30	32	33	34	36
HORIZONTAL BASE KIT IND#	WT-133	WT-154	WT-175	WT-206	WT-237	WT-262	WT-300	WT-325



RIGHT ANGLE GEAR REDUCERS



AG-I RIGHT ANGLE "QUICK FIND" SELECTION TABLES - INPUT = 1750 RPM

HP*	RATIO (:1)	OUTPUT RPM	SIZE	MAX. OUTPUT TORQUE (IN/LB)	*S.F. @ HP	MAX. INPUT HP	INPUT FLANGE AVAIL.
.25	7.5	233	133	243	4.1	1.0	56C
	10	175		254	3.3	.82	
	15	116		282	2.6	.64	
	20	87		309	2.2	.55	
	25	70		299	1.8	.45	
	30	58		304	1.6	.40	
	40	43		312	1.3	.33	
	50	35		316	1.1	.29	
60	29	302	1.0	.25			

HP*	RATIO (:1)	OUTPUT RPM	SIZE	MAX. OUTPUT TORQUE (IN/LB)	*S.F. @HP	MAX. INPUT HP	INPUT FLANGE AVAIL.
1.5	7.5	233	154	355	1.0	1.5	56C/ 140TC
	10	175	175	509	1.1	1.6	
	15	116	206	861	1.3	1.9	
	20	87		925	1.0	1.6	
	25	70	237	1396	1.3	2.3	
	30	58		1345	1.1	1.7	
	40	43	262	1780	1.1	1.7	
	50	35	300	2390	1.3	1.9	
	60	29		2290	1.1	1.6	

.33	7.5	233	133	243	3.1	1.0	56C
	10	175		254	2.5	.82	
	15	116		282	1.9	.64	
	20	87		309	1.7	.55	
	25	70		299	1.3	.45	
	30	58		304	1.2	.40	
	40	43	154	499	1.7	.56	
	50	35		474	1.4	.46	
60	29	445	1.2	.39			

2.0	7.5	233	206	664	1.4	2.8	56C/ 140TC
	10	175		773	1.2	2.5	
	15	116		1265	1.4	2.8	
	20	87	237	1364	1.2	2.3	
	25	70		1396	1.0	2.0	
	30	58	262	1808	1.1	2.1	
	40	43		2378	1.1	2.3	
	50	35	300	2390	1.0	2.0	
	60	29		325	3143	1.0	

.50	7.5	233	133	243	2.1	1.0	56C	
	10	175		254	1.6	.82		
	15	116		282	1.3	.64		
	20	87		309	1.1	.55		
	25	70	154	483	1.5	.75		
	30	58		460	1.3	.63		
	40	43		499	1.1	.56		
	50	35		175	610	1.0		.52
	60	29		206	902	1.3		.67

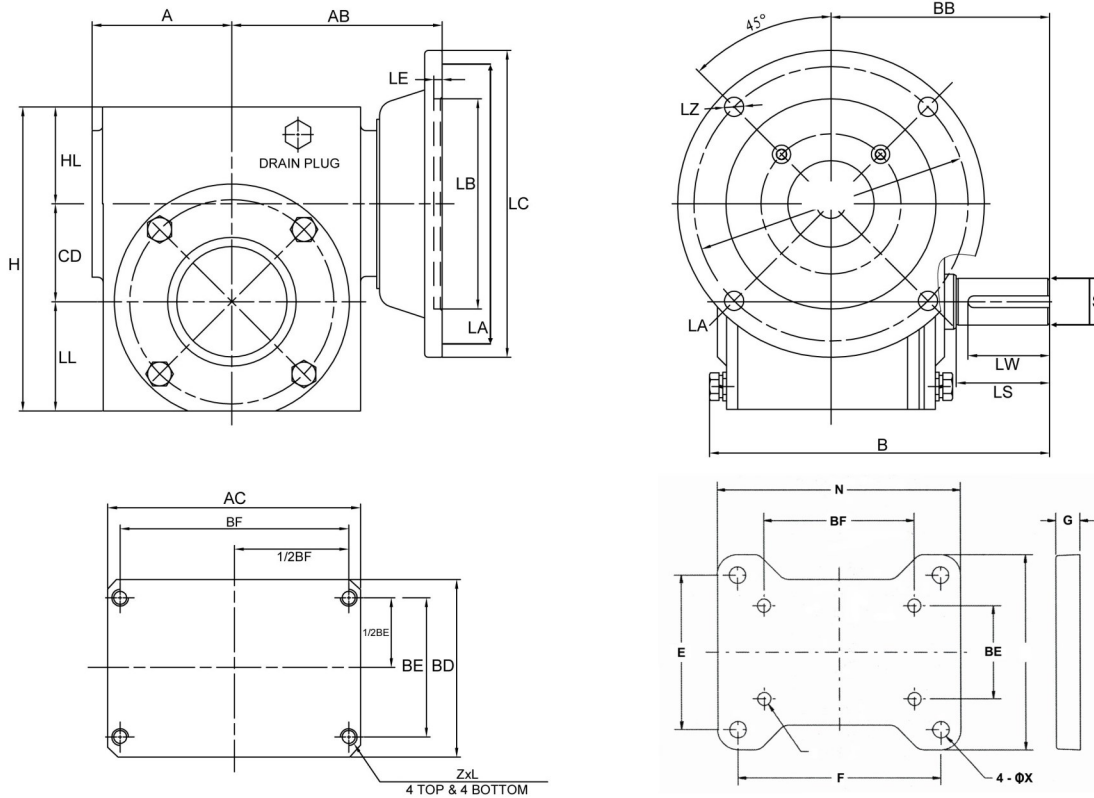
3.0	7.5	233	237	955	1.3	4.0	180TC	
	10	175		1125	1.2	3.6		
	15	116	262	1668	1.2	3.6		
	20	87		1763	1.0	3.0		
	25	70	300	2426	1.1	3.4		
	30	58		3097	1.2	3.6		
	40	43	325	3171	1.0	3.0		
	50	35						
	60	29	N/A					

.75	7.5	233	133	243	1.4	1.0	56C
	10	175		254	1.1	.82	
	15	116		429	1.3	1.0	
	20	87	154	497	1.2	.92	
	25	70		483	1.0	.75	
	30	58	175	591	1.0	.74	
	40	43		932	1.2	.92	
	50	35	206	931	1.0	.77	
	60	29		237	1350	1.3	

5.0	7.5	233	262	1186	1.0	5.0	180TC
	10	175		1956	1.2	6.2	
	15	116	300	2236	1.0	5.0	
	20	87		3136	1.0	5.2	
	25	70	N/A				
	30	58					
	40	43					
	50	35					
	60	29					

1.0	7.5	233	133	243	1.0	1.0	56C
	10	175	154	386	1.3	1.3	
	15	116		429	1.0	1.0	
	20	87	175	605	1.0	1.0	
	25	70	206	925	1.3	1.3	
	30	58		946	1.1	1.1	
	40	43	237	1376	1.3	1.3	
	50	35		1375	1.1	1.1	
	60	29		262	1733	1.2	

7.5	7.5	233	325	2143	1.2	8.9	210TC
	10	175		2592	1.1	8.1	
	15	116					
	20	87	N/A				
	25	70					
	30	58					
	40	43					
	50	35					
	60	29					



GENERAL DIMENSIONS - 'BQ' Style Reducers*

SIZE	A	AC	B	BB	BD	BE	BF	CD	H	HL	LL	Z	L	SOLID OUTPUT SHAFT			
														S	LS	KEYWAY	LW
133	2.12	4.00	6.03	4.00	2.80	2.00	3.25	1.33	4.66	1.60	1.72	5/16-18	0.50	0.625	2.00	3/16 x 3/32	1.311
154	2.75	4.88	6.76	4.31	2.43	2.75	4.19	1.54	5.38	1.93	1.91	5/16-18	0.50	0.750	1.77	3/16 x 3/32	1.25
175	2.76	5.04	6.75	4.31	3.43	2.75	4.19	1.75	5.75	1.94	2.06	5/16-18	0.60	0.875	1.88	3/16 x 3/32	1.378
206	3.00	5.87	7.28	4.69	3.8	2.874	5.00	2.063	6.37	2.03	2.28	3/8-16	0.60	1.000	2.00	1/4 x 1/8	1.75
237	3.50	6.65	7.88	5.079	4.09	2.88	5.00	2.375	6.94	2.07	2.50	3/8-16	0.60	1.125	2.37	1/4 x 1/8	2.00
262	3.69	7.17	8.76	5.63	4.45	3.38	6.38	2.625	8.00	2.44	2.94	3/8-16	0.60	1.125	2.50	1/4 x 1/8	2.00
300	4.50	8.12	10.25	6.75	5.25	4.00	7.00	3.00	8.88	2.63	3.25	7/16-14	0.79	1.250	3.25	1/4 x 1/8	2.25
325	4.50	8.90	10.87	7.06	5.39	4.00	7.50	3.25	9.37	2.63	3.50	7/16-14	0.79	1.375	3.244	5/16 x 5/32	2.874

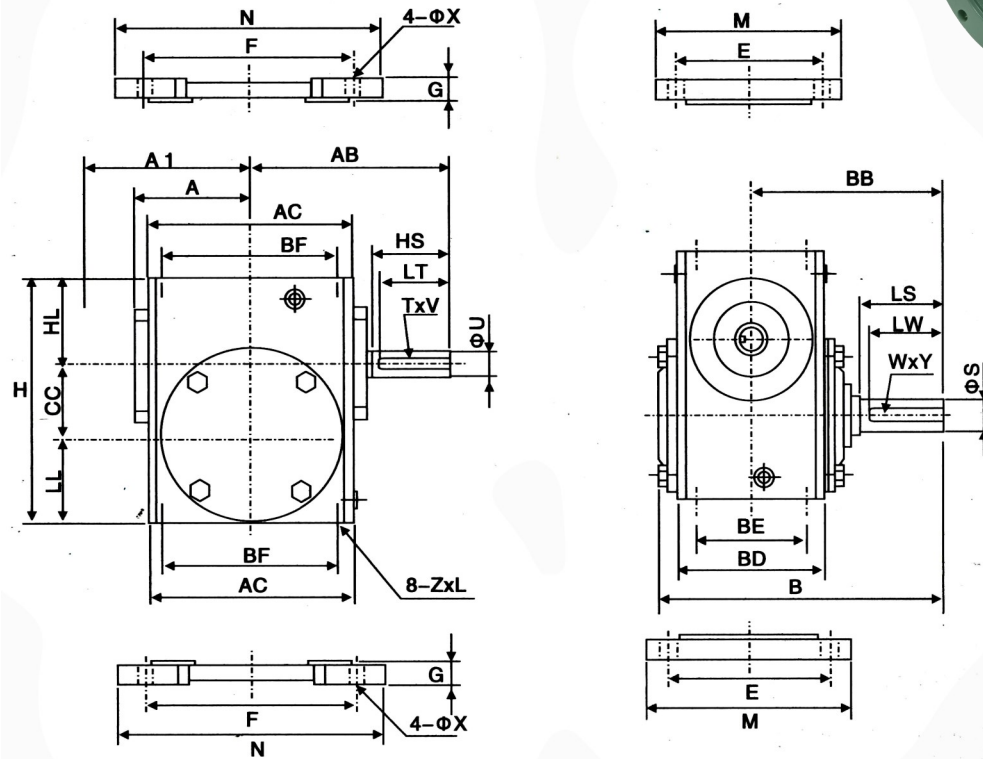
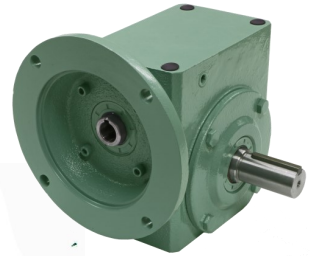
QUILL / FLANGE INPUT DIMENSIONS*

SIZE	FRAME	AB	LA	LB	LC	LE	LZ	INPUT		BORE	KEYWAY								
								BORE	KEYWAY										
133	56C	3.94	5.875	4.50	6.54	0.20	0.41	0.625	3/16 x 3/32	0.625	3/16 x 3/32								
								0.625	3/16 x 3/32										
								0.875	3/16 x 3/32										
154	56C	4.50	5.875	4.50	6.50	0.20	0.41	0.625	3/16 x 3/32	0.625	3/16 x 3/32								
								0.625	3/16 x 3/32										
175	56C	4.15	5.875	4.50	6.60	0.18	0.41	0.625	3/16 x 3/32	0.625	3/16 x 3/32								
	140TC							0.875	3/16 x 3/32										
206	56C	4.51	5.875	4.50	6.60	0.18	0.41	0.625	3/16 x 3/32	0.625	3/16 x 3/32								
	140TC							0.875	3/16 x 3/32										
237	56C	5.00	5.875	4.50	6.5	0.20	0.41	0.625	3/16 x 3/32	0.625	3/16 x 3/32								
	140TC							0.875	3/16 x 3/32										
	180TC							1.125	1/4 x 1/8										
	180TC							1.125	1/4 x 1/8										
262	56C	5.70	5.875	4.50	6.50	0.20	0.41	0.625	3/16 x 3/32	0.625	3/16 x 3/32								
	140TC							0.875	3/16 x 3/32										
	180TC							1.125	1/4 x 1/8										
	56C							6.54	5.875			4.50	6.50	0.20	0.41	0.625	3/16 x 3/32	0.625	3/16 x 3/32
	140TC															0.875	3/16 x 3/32		
	180TC															1.125	1/4 x 1/8		
300	210TC	6.54	7.25	8.50	9.02	0.28	0.55	1.375	5/16 x 5/32	1.375	5/16 x 5/32								
	210TC							1.375	5/16 x 5/32										
325	56C	6.57	5.875	4.50	6.50	0.20	0.41	0.625	3/16 x 3/32	0.625	3/16 x 3/32								
	140TC							0.875	3/16 x 3/32										
	180TC							1.125	1/4 x 1/8										
	210TC							1.375	5/16 x 5/32										
325	56C	7.36	7.25	8.50	9.02	0.28	0.55	1.125	1/4 x 1/8	1.125	1/4 x 1/8								
	140TC							1.375	5/16 x 5/32										



RIGHT ANGLE GEAR REDUCERS

"QUICK REFERENCE" DIMENSIONS



GENERAL DIMENSIONS (for 'B' and 'BQ' Style Reducers)*

SIZE	A	AC	B	BB	BD	BE	BF	CD	H	HL	LL	Z	L	SOLID OUTPUT SHAFT			
														S	LS	YxW	LW
133	2.12	4.00	6.03	4.00	2.80	2.00	3.25	1.33	4.66	1.60	1.72	5/16-18	0.50	0.625	2.00	3/16 x 3/32	1.311
154	2.75	4.88	6.76	4.31	2.43	2.75	4.19	1.54	5.38	1.93	1.91	5/16-18	0.50	0.750	1.77	3/16 x 3/32	1.25
175	2.76	5.04	6.75	4.31	3.43	2.75	4.19	1.75	5.75	1.94	2.06	5/16-18	0.60	0.875	1.88	3/16 x 3/32	1.378
206	3.00	5.87	7.28	4.69	3.8	2.874	5.00	2.063	6.37	2.03	2.28	3/8-16	0.60	1.000	2.00	1/4 x 1/8	1.75
237	3.50	6.65	7.88	5.079	4.09	2.88	5.00	2.375	6.94	2.07	2.50	3/8-16	0.60	1.125	2.37	1/4 x 1/8	2.00
262	3.69	7.17	8.76	5.63	4.45	3.38	6.38	2.625	8.00	2.44	2.94	3/8-16	0.60	1.125	2.50	1/4 x 1/8	2.00
300	4.50	8.12	10.25	6.75	5.25	4.00	7.00	3.00	8.88	2.63	3.25	7/16-14	0.79	1.250	3.25	1/4 x 1/8	2.25
325	4.50	8.90	10.87	7.06	5.39	4.00	7.50	3.25	9.37	2.63	3.50	7/16-14	0.79	1.375	3.244	5/16 x 5/32	2.874

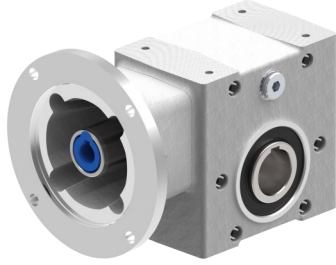
SOLID INPUT DIMENSIONS*

SIZE	AB	INPUT SHAFT			
		U	HS	T x V	LT
133	4.03	0.500	1.81	1/8 x 1/16	1.38
154	4.69	0.625	1.69	3/16 x 3/32	0.94
175	4.69	0.625	1.81	3/16 x 3/32	1.50
206	5.06	0.625	1.81	3/16 x 3/32	1.50
237	5.44	0.750	1.94	3/16 x 3/32	1.31
262	6.23	0.750	2.31	3/16 x 3/32	1.88
300	7.00	0.875	2.26	3/16 x 3/32	1.31
325	7.06	0.875	2.31	3/16 x 3/32	1.65

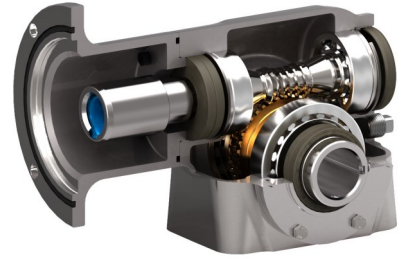
HORIZONTAL BASE DIMENSIONS*

SIZE	E	F	M	N	G	X
133	3.31	4.38	4.32	5.38	0.53	0.34
154	4.31	5.25	5.44	6.44	0.59	0.41
175	4.50	5.75	5.56	7.00	0.69	0.41
206	4.69	6.38	6.02	7.69	0.72	0.47
237	4.88	7.06	6.19	8.50	0.75	0.49
262	5.25	8.00	6.50	9.25	0.75	0.53
300	5.88	8.44	7.36	10.16	0.75	0.53
325	6.13	9.50	7.74	11.12	0.88	0.53

Visit our website @ www.ag-industrie.com



HOLLOW SHAFT MOTORIZED



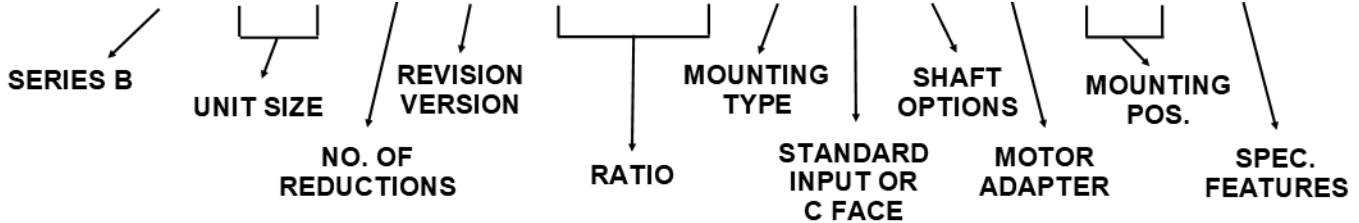
SERIES "F" STAINLESS

FEATURES: Highly flexible and compact to meet low to medium power range up to 20HP and maximum output torque capacity of 7,500 in/lb.

- **Conex™** helicoidal gear geometry (see below) provides high capacity and high efficiency
- Dimensionally interchangeable with other major manufacturers
- Series B catalogue contains handy interchange tables with Boston, Grove, Ohio, Baldor, Leeson, Dodge/Tigear and others: <https://www.conetools.com/Interchange>
- Nine industry standard centre distances and 10 ratios from 5:1 through 60:1 (single reduction) Available with NEMA flanged or standard (no flange) input shaft, hollow, single or double output shaft, horizontal, vertical high or low base, torque arm, output bracket
- Motor-ready units are close coupled with Cone Drive's "Engineered Motor Connection System" - eliminates fretting corrosion which allows motors to be easily removed for less down time and maintenance
- Lubricated for life with high quality synthetic lubricant
- Non-vented and sealed against the environment - offers protection against the ingress of contaminants in the field and eliminates leak path
- Units can be mounted in all positions
- Handy configurator tool at: www.conetools.com
- Double reduction reducers available
- Final assembly from in-stock kits in Canada
- Stainless Steel designs also available (factory order)

CONE DRIVE CENTRE DISTANCE CROSSOVER									
CASE SIZE	B02	B03	B04	B05	B06	B08	B09	B10	B11
CD (Inches)	1.33	1.54	1.75	1.97	2.38	2.62	3.00	3.25	3.54

CONE DRIVE MODEL NUMBER EXAMPLE														
1	2	3	4	5	6	7	8	9	10	11	12	13	14	15
B	0	5	1	1	1	5	.	W	A	N	T	A	-	-



* See Configurator in Cone Drive Series B catalogue for full explanation of various options



CONE DRIVE SERIES B RIGHT ANGLE REDUCERS



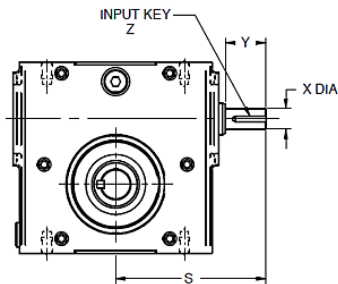
SERIES B SINGLE REDUCTION SELECTION TABLES - 1750 RPM INPUT

RATIO:1	OUTPUT SPEED RPM	CAPACITY	SIZE OF UNIT								
			B02	B03	B04	B05	B06	B08	B09	B10	B11
5	350	Input Power, HP (mech)	1.76	2.51	3.45	4.62	7.47	9.62	13.6	16.6	20.6
		Input Power, HP (therm)	1.76	2.51	3.45	4.62	7.47	9.62	12.7	16.4	17.6
		Output Torque, lb-in (mech)	275	401	559	757	1240	1610	2280	2800	3500
		Efficiency, %	87	89	90	91	92	93	93	94	94
7.5	233	Input Power, HP (mech)	1.30	1.85	2.54	3.39	5.45	6.97	9.76	11.9	14.7
		Input Power, HP (therm)	1.30	1.85	2.54	3.39	5.45	6.97	9.76	11.9	14.2
		Output Torque, lb-in (mech)	296	433	603	818	1340	1720	2430	2970	3700
		Efficiency, %	84	86	88	89	91	92	92	93	93
10	175	Input Power, HP (mech)	1.05	1.47	1.84	2.63	4.17	4.98	6.99	8.93	11.0
		Input Power, HP (therm)	1.05	1.47	1.84	2.63	4.17	4.98	6.99	8.93	11.0
		Output Torque, lb-in (mech)	308	446	570	830	1340	1620	2290	2950	3660
		Efficiency, %	82	84	86	88	89	90	91	92	92
15	117	Input Power, HP (mech)	0.79	1.11	1.51	2.02	3.26	4.13	5.79	7.18	8.93
		Input Power, HP (therm)	0.79	1.11	1.51	2.02	3.26	4.13	4.79	7.18	8.93
		Output Torque, lb-in (mech)	325	479	674	919	1520	1950	2770	3460	4330
		Efficiency, %	76	80	82	84	87	88	89	89	90
20	88	Input Power, HP (mech)	0.62	0.88	1.20	1.60	2.59	3.34	4.70	5.74	7.15
		Input Power, HP (therm)	0.62	0.88	1.20	1.60	2.59	3.34	4.70	5.74	7.00
		Output Torque, lb-in (mech)	319	476	675	927	1550	2030	2900	3570	4480
		Efficiency, %	71	75	78	80	83	84	86	86	87
25	70	Input Power, HP (mech)	0.56	0.79	1.08	1.44	2.32	2.72	3.81	4.65	5.76
		Input Power, HP (therm)	0.56	0.79	1.08	1.44	2.32	2.72	3.81	4.65	5.71
		Output Torque, lb-in (mech)	340	510	726	1000	1680	1990	2840	3490	4370
		Efficiency, %	67	72	75	77	80	81	83	83	84
30	58	Input Power, HP (mech)	0.49	0.67	0.90	1.20	1.91	2.45	3.43	4.18	5.20
		Input Power, HP (therm)	0.49	0.67	0.90	1.20	1.91	2.45	3.43	4.18	5.20
		Output Torque, lb-in (mech)	332	494	700	961	1610	2100	3010	3700	4640
		Efficiency, %	63	68	72	74	78	79	81	82	83
40	44	Input Power, HP (mech)	0.38	0.51	0.68	0.89	1.41	1.79	2.49	3.03	3.75
		Input Power, HP (therm)	0.38	0.51	0.68	0.89	1.41	1.79	2.49	3.03	3.75
		Output Torque, lb-in (mech)	298	444	630	866	1450	1890	2710	3340	4180
		Efficiency, %	55	60	64	67	72	73	75	76	77
50	35	Input Power, HP (mech)	0.33	0.44	0.58	0.75	1.16	1.46	2.01	2.43	2.99
		Input Power, HP (therm)	0.33	0.44	0.58	0.75	1.16	1.46	2.01	2.43	2.99
		Output Torque, lb-in (mech)	291	434	610	832	1380	1790	2550	3140	3920
		Efficiency, %	49	54	58	62	66	68	70	72	73
60	29	Input Power, HP (mech)	0.29	0.38	0.50	0.64	0.98	1.24	1.70	2.05	2.52
		Input Power, HP (therm)	0.29	0.38	0.50	0.64	0.98	1.24	1.70	2.05	2.52
		Output Torque, lb-in (mech)	272	404	570	782	1300	1700	2430	2990	3740
		Efficiency, %	43	49	53	57	61	64	66	67	69

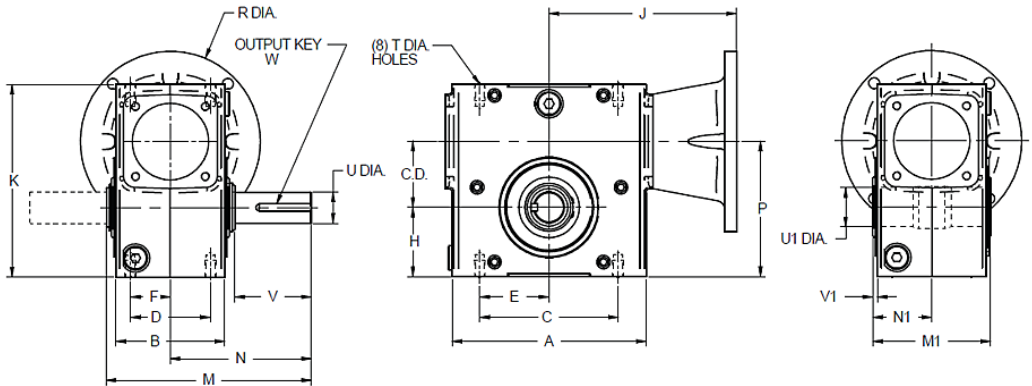
NOTE: Thermal rating for units driven by fan cooled motor
Ratings assumes units are fitted with standard output shafts

STANDARD UNIT Dimensions

REDUCER



MOTORIZED

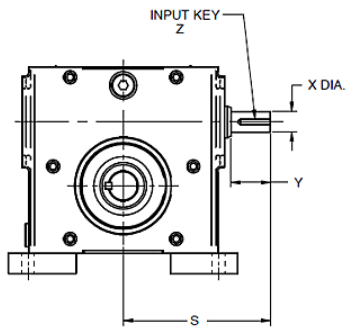


Case Size	C.D.	A	B	C	D	E	F	H	K	M	M1	N	N1	P	T Dia.
B02	1.33	4.33	2.76	3.25	2.00	1.63	1.00	1.72	4.66	6.10	3.85	4.00	1.93	3.05	M8 x 0.47
B03	1.54	5.23	3.94	4.19	2.75	2.10	1.38	1.91	5.35	6.61	4.25	4.31	2.12	3.45	M8 x 0.47
B04	1.75	5.98	3.94	4.19	2.75	2.10	1.38	2.06	5.75	6.65	4.29	4.31	2.15	3.81	M8 x 0.47
B05	1.97	6.00	3.94	5.00	2.88	2.50	1.44	2.28	6.38	7.00	4.21	4.69	2.11	4.25	M10 x 0.59
B06	2.38	7.00	3.94	5.00	2.88	2.50	1.44	2.50	6.93	7.41	4.25	5.09	2.13	4.88	M10 x 0.59
B08	2.62	7.50	5.12	6.38	3.38	3.19	1.69	2.94	7.99	8.58	5.43	5.63	2.72	5.57	M10 x 0.59
B09	3.00	9.00	5.12	7.00	4.00	3.50	2.00	3.25	8.88	9.70	5.43	6.75	2.72	6.25	M12 x 0.71
B10	3.25	9.05	5.67	7.50	4.00	3.75	2.00	3.50	9.38	10.28	5.98	7.06	2.99	6.75	M12 x 0.71
B11	3.54	9.50	5.12	7.50	4.00	3.75	2.00	3.39	9.84	11.34	6.65	7.75	3.33	6.93	M16 x 0.87

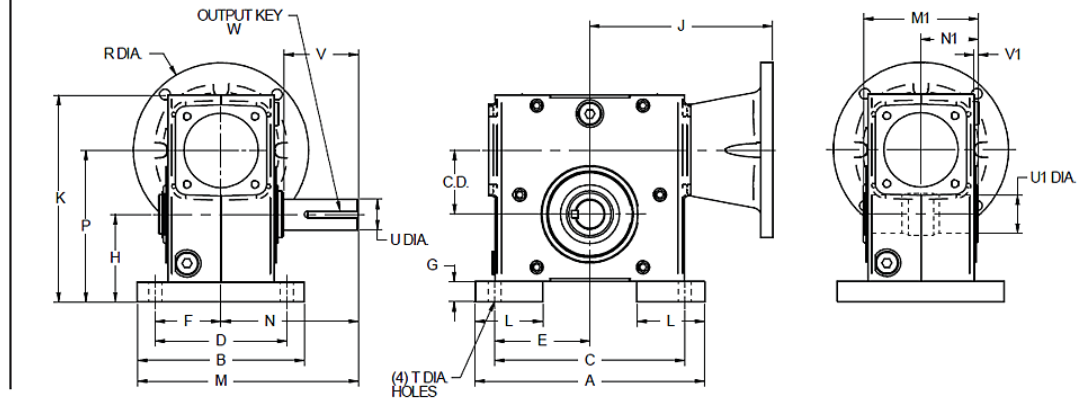
Case Size	C.D.	REDUCER					MOTORIZED						OUTPUT SHAFT				W-KEY		WT (LBS)
		X Dia.	Y	SQ.	LG	S	56C/143/145TC		182/184TC		213/215TC		U Dia.	U1 Dia.	V	V1	SQ.	LG	
B02	1.33	0.625	1.31	3/16	1.00	4.22	4.74	6.50	NA	NA	NA	NA	0.750	1.000	1.88	0.12	3/16	1.00	9
B03	1.54	0.750	1.48	3/16	1.13	4.87	5.92	6.50	6.16	9.00	NA	NA	0.750	1.000	1.99	0.12	3/16	1.13	14
B04	1.75	0.750	1.48	3/16	1.13	5.13	6.18	6.50	6.42	9.00	NA	NA	1.000	1.438	1.97	0.08	1/4	1.25	16
B05	1.97	0.750	1.48	3/16	1.13	5.20	6.34	6.50	6.58	9.00	NA	NA	1.125	1.438	2.39	0.08	1/4	1.50	18
B06	2.38	0.750	1.48	3/16	1.13	5.47	6.77	6.50	7.01	9.00	NA	NA	1.125	1.438	2.77	0.08	1/4	1.88	23
B08	2.62	1.188	2.69	1/4	2.25	7.23	7.24	6.50	7.59	9.00	7.59	9.00	1.500	1.938	2.68	0.08	3/8	1.97	40
B09	3.00	1.188	2.69	1/4	2.25	7.63	7.64	6.50	7.98	9.00	7.98	9.00	1.500	2.188	3.80	0.08	3/8	2.00	47
B10	3.25	1.188	2.69	1/4	2.25	7.64	7.72	6.50	8.06	9.00	8.06	9.00	1.500	2.188	3.83	0.08	3/8	2.25	50
B11	3.54	1.188	2.95	1/4	2.62	8.39	8.15	6.50	8.50	9.00	8.50	9.00	1.875	2.938	4.15	0.10	1/2	2.63	70

UNIT WITH HORIZONTAL BASE (Over Driven) Dimensions

REDUCER

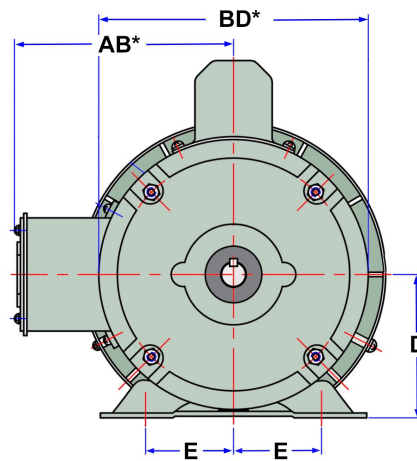
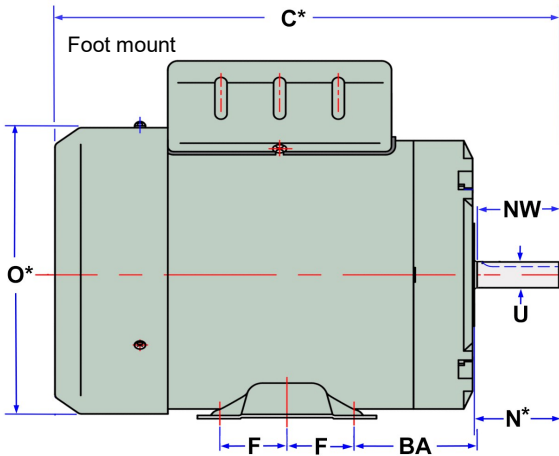


MOTORIZED

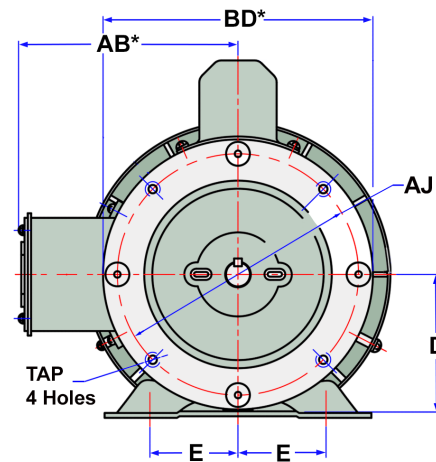
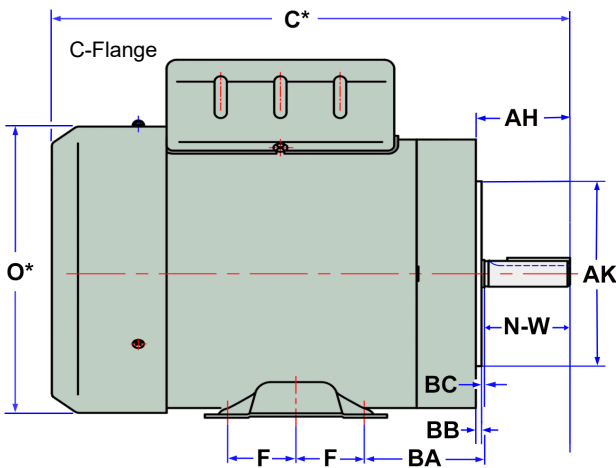


Case Size	C.D.	A	B	C	D	E	F	H	K	L	M	M1	N	N1	P	T Dia.
B02	1.33	5.38	4.19	4.380	3.310	2.190	1.655	2.25	5.19	1.50	6.09	3.85	4.00	1.93	3.58	11/32
B03	1.54	6.44	5.44	5.250	4.312	2.625	2.156	2.50	5.94	1.50	7.03	4.25	4.31	2.12	4.04	13/32
B04	1.75	7.00	5.69	5.750	4.500	2.875	2.250	2.75	6.44	2.00	7.16	4.29	4.31	2.15	4.50	13/32
B05	1.97	7.75	5.94	6.380	4.690	3.190	2.345	3.00	7.10	2.00	7.66	4.21	4.69	2.11	4.97	15/32
B06	2.38	8.50	6.19	7.063	4.875	3.532	2.438	3.25	7.68	2.50	8.19	4.25	5.09	2.13	5.63	15/32
B08	2.62	9.63	6.66	8.000	5.250	4.000	2.625	3.69	8.74	2.50	8.96	5.43	5.63	2.72	6.31	17/32
B09	3.00	10.00	7.50	8.440	5.880	4.220	2.940	4.00	9.63	2.00	10.50	5.43	6.75	2.72	7.00	17/32
B10	3.25	11.19	7.66	9.500	6.125	4.750	3.063	4.38	10.25	2.50	10.89	5.98	7.06	2.99	7.63	17/32
B11	3.54	11.08	7.71	9.500	6.120	4.750	3.060	5.00	11.45	2.50	11.61	6.65	7.75	3.33	8.54	9/16

Case Size	C.D.	REDUCER					MOTORIZED						OUTPUT SHAFT				W-KEY		WT (LBS)
		INPUT SHAFT		Z-KEY			56C/143/145TC		182/184TC		213/215TC		U Dia.	U1 Dia.	V	V1	SQ.	LG	
		X Dia.	Y	SQ.	LG	S	J	R Dia.	J	R Dia.	J	R Dia.							
B02	1.33	0.625	1.31	3/16	1.00	4.22	4.74	6.50	NA	NA	NA	NA	0.750	1.000	1.88	0.12	3/16	1.00	10
B03	1.54	0.750	1.48	3/16	1.13	4.87	5.92	6.50	6.16	9.00	NA	NA	0.750	1.000	1.99	0.12	3/16	1.13	15
B04	1.75	0.750	1.48	3/16	1.13	5.13	6.18	6.50	6.42	9.00	NA	NA	1.000	1.438	1.97	0.08	1/4	1.25	18
B05	1.97	0.750	1.48	3/16	1.13	5.20	6.34	6.50	6.58	9.00	NA	NA	1.125	1.438	2.39	0.08	1/4	1.50	20
B06	2.38	0.750	1.48	3/16	1.13	5.47	6.77	6.50	7.01	9.00	NA	NA	1.125	1.438	2.77	0.08	1/4	1.88	25
B08	2.62	1.188	2.69	1/4	2.25	7.23	7.24	6.50	7.59	9.00	7.59	9.00	1.500	1.938	2.68	0.08	3/8	1.97	43
B09	3.00	1.188	2.69	1/4	2.25	7.63	7.64	6.50	7.98	9.00	7.98	9.00	1.500	2.188	3.80	0.08	3/8	2.00	50
B10	3.25	1.188	2.69	1/4	2.25	7.64	7.72	6.50	8.06	9.00	8.06	9.00	1.500	2.188	3.83	0.08	3/8	2.25	54
B11	3.54	1.188	2.95	1/4	2.62	8.39	8.15	6.50	8.50	9.00	8.50	9.00	1.875	2.938	4.15	0.10	1/2	2.63	75



D = Shaft height measured at the centerline
 E = Distance from the centerline to the side mounting holes
 F = Distance between the mounting holes
 BA = Distance from the center of the nearest mounting hole to the beginning of the usable shaft
 U = Shaft diameter
 N-W = shaft length



For AG-I specific model dimensions, visit our website:
ag-industrie.com
 email,
info@agimotortec.com
 or directly contact your
AG-I representative.
 (see back page)

* Dimensions marked with * are not specified by NEMA, and vary by manufacturer.

FRAME	D	E	F	BA	U	NW	AH	AJ	AK	BB	KEY	TAP
42	2-5/8	1-3/4	27/32	2-1/16	3/8	1-1/8	1-5/16	3-3/4	3	1/8	3/64 Flat	1/4-20
48	3	2-1/8	1-3/8	2-1/2	1/2	1-1/2	1-11/16	3-3/4	3	1/8	3/64 Flat	1/4-20
56 56H	3-1/2	2-7/16	1-1/2 2.5	2-3/4	5/8	1-7/8	2-1/16	5-7/8	4-1/2	1/8	3/16 square	3/8-16
143T 145T	3-1/2	2-3/4	2 2.5	2-1/4	7/8	2-1/4	2-1/8	5-7/8	4-1/2	1/8	3/16 square	3/8-16
182T 184T	4-1/2	3-3/4	2-1/4 2-3/4	2-3/4	1-1/8 1-1/8	2-3/4 2-3/4	2-5/8 2-5/8	7-1/4	8-1/2	1/4 1/4	5/16 square	1/2-13 1/2-13
213T 215T	5-1/4	4-1/4	2-3/4 3-1/2	3-1/2	1-3/8 1-3/8	3-3/8 3-3/8	3-1/8 3-1/8	7-1/4	8-1/2	1/4	5/16 square	1/2-13
254T 256T	6-1/4	5	4-1/8 5	4-1/4	1-5/8 1-5/8	4.0 4,0	3-3/4 3-3/4	7-1/4	8-1/2	1/4	3/8 square	1/2-13
284T 286T	7	5-1/2	4-3/4 5-1/2	4-3/4	1-7/8 1-7/8	4-5/8 4-5/8	4-3/8 4-3/8	9.0	10-1/2	1/4	1/2 square	1/2-13



RETURN POLICY

Any return of product is subject to prior approval from AG-I MotorTec Inc. ("AG-I") and must be returned freight prepaid, in resalable condition, in original packaging. The return goods authorization (RGA) number should accompany the return. The goods must be returned within 30 days of authorization, or may be declined.

Restocking charge is 15% but the charge may be higher by previous agreement with AG-I, and/or depending on the condition of the product and packaging on arrival.

WARRANTY STATEMENT

AG-I MotorTec Inc. ("AG-I") warrants all motors supplied by it to be free from defects in materials and workmanship when operated under normal conditions, and within the motor's name-plated limits.

Warranty period is twelve months from date of installation, but no longer than twenty four months from date of manufacture, without written authorization from AG-I. This warranty is in lieu of any other warranty, written or implied, including any implied warranty of salability or fitness for a particular purpose.

AG-I MotorTec Inc., at its option, will replace or repair any motor which has been found to be defective within the warranty period, provided that the motor is delivered, with prior approval, freight prepaid, to an authorized AG-I service centre for inspection. Return shipments are F.O.B. service center.

AG-I MotorTec Inc. is not responsible for removal, installation, or any other expenses incurred in transporting the motor to or from the authorized service centre. Liability under this warranty is limited to repair or replacement of the motor within the warranty period. AG-I shall not be liable for consequent or collateral damage, including but not limited to, personal injury, labour, or material costs. AG-I MotorTec Inc. will not be responsible for expenses incurred on repairs or claims made by anyone other than an authorized AG-I service center, unless such repairs have been previously authorized in writing.

GENERAL INSTALLATION & OPERATING INSTRUCTIONS

Prior to Operation – Before making electrical power connections, check for proper grounding of the motor and application. All electrical contacts and connections must be properly insulated and enclosed. Couplings, belts, chains or other mounted devices must be in proper alignment, balanced and secure to insure safe motor operation.

Electrical Wiring – Prior to connecting to the power line, check nameplate for proper voltage and rotation connection. This motor should be installed in compliance with the National Electrical Code and any other applicable codes. Voltage at motor should not exceed + or -10% of nameplate voltage. Qualified persons should make all electrical connections.

Lubrication – This motor is supplied with lubricated-for-life ball bearings. Do not lubricate.

Mounting & Ventilation – This motor should be securely mounted to the application, and with sufficient ventilation area to insure proper operation.

Service – If failure occurs, have qualified personnel first check for proper electrical connections, fusing, or jamming of mechanical equipment. If unable to correct the problem, contact the motor supplier or representative with details including complete information from the motor nameplate.

Warehouse / Office:

16 Tideman Drive, Unit 7
Orangeville, ON
L9W 4N6
PH. 519-941-6832
FAX 519-941-6834

Corporate Office:

203214 County Rd.109
East Garafraxa, ON
L9W 7L8
PH. 519-941-6832
FAX 519-941-6834

Contact us

Sales / Warehouse Manager

Stuart McLeod
Cell 519-215-0651

Inside Sales - Business Development

Lorriane Fernandes
519-941-6832
Info@agimotortec.com

Ventes au Québec

Hugues Belanger
Cell 438-395-1541

General Manager

Dave Mayle
Cell 519-943-2204

Website

ag-industrie.com