

Mounting dimensions interchangeable with most industry standard reducers

- AGMA center distances 1.33" to 3.25"
- NEMA 56C to 210TC Input
- Competitive torque ratings
- Ratios 7.5:1 to 60:1
- 1/4 HP to 7.5 HP
- Heavy duty cast iron housing
- Permanent synthetic oil
- Epoxy powder coat finish
- Easy left / right handing change
- Stainless steel nameplate



KFM  
Hi-Temp  
seals  
on shafts



Style TQ

"O" Rings  
& gaskets  
under  
covers



Style BQ

### NOMENCLATURE EXAMPLE - PART NUMBER = "W2063056BQL"

TYPE (RA WORM)	SIZE (CENTRE DISTANCE)	SINGLE REDUCTION RATIO (:1)	INPUT (NEMA FRAME SIZE)	STYLE	OUTPUT (ASSEMBLY)
W	206	30	56C	BQ	L
AVAILABLE OPTIONS					
W	1.33"	5	56C	SEE TABLE BELOW*	L (SINGLE LEFT)
	1.54"	10	143/14 TC		R (SINGLE RIGHT)
	1.75"	15	182/184TC		
	2.06"	20	213/215TC		
	2.37"	30			
	2.62"	40			
	3.00"	50			
	3.25"	60			

### \*STYLE DESCRIPTION

BASIC UNITS (ALL SOLID INPUT)		QUILL (HOLLOW) FLANGED INPUT	
STYLE	DESCRIPTION	STYLE	DESCRIPTION
B	No base	BQ	No base
T	Horizontal base, worm over	TQ	Horizontal base, worm over
U	Horizontal base, worm under	UQ	Horizontal base, worm under

### LIST PRICING - BASE UNITS / BASE KITS

STYLE/SIZE	133	154	175	206	237	262	300	325
B	368	409	446	553	616	758	940	1099
BQ	368	409	446	553	616	758	940	1099
TQ	396	439	478	587	651	794	977	1138
HORIZONTAL BASE KIT	29	30	32	34	34	36	37	39



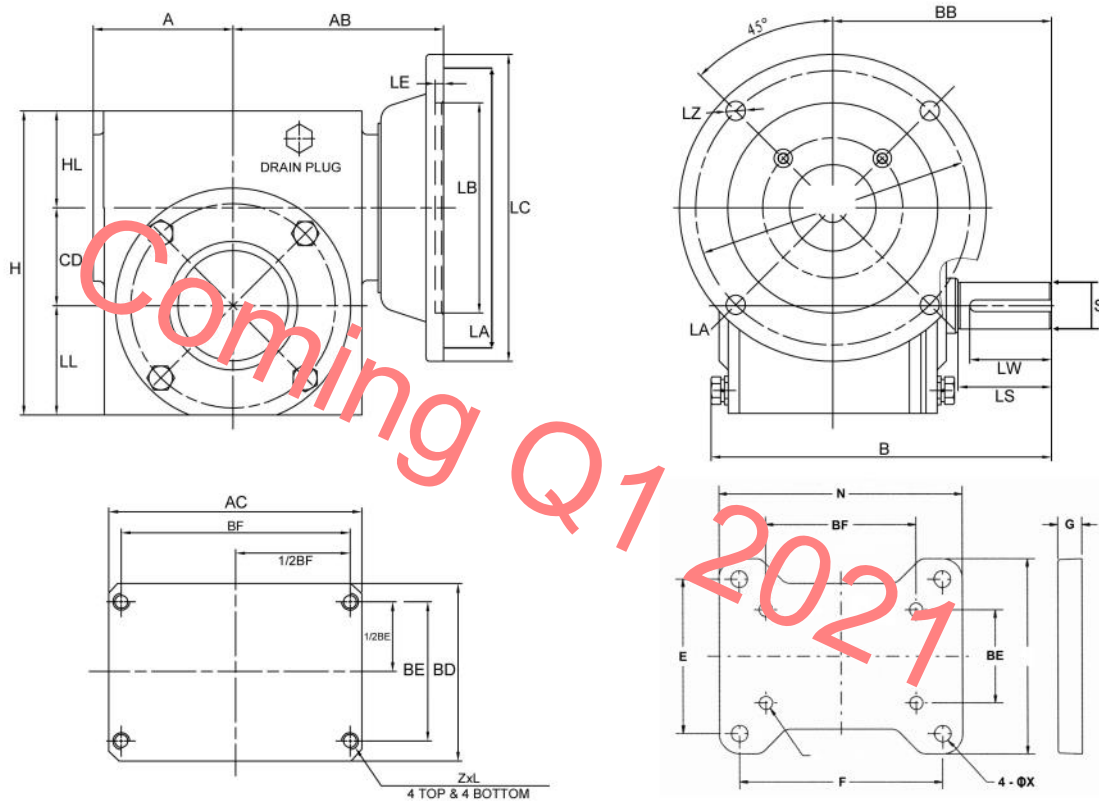
# RIGHT ANGLE GEAR REDUCERS



## AG-I RIGHT ANGLE "QUICK FIND" SELECTION TABLES - INPUT = 1750 RPM

HP*	RATIO (:1)	OUTPUT RPM	SIZE	MAX. OUT-PUT TORQUE (IN/LB)	*S.F. @HP	MAX. INPUT HP	INPUT FLANGE AVAIL.	
.25	7.5	233	133	243	4.1	1.0	56C	
	10	175		254	3.3	.82		
	15	116		282	2.6	.64		
	20	87		309	2.2	.55		
	25	70		299	1.8	.45		
	30	58		304	1.6	.40		
	40	43		312	1.3	.33		
	50	35		316	1.1	.29		
60	29	302	1.0	.25				
1.5	7.5	233	206	355	1.0	1.5	56C/ 140TC	
	10	175		509	1.1	1.6		
	15	116		861	1.3	1.9		
	20	87		925	1.0	1.6		
	25	70	237	1396	1.3	2.3		
	30	58		1345	1.1	1.7		
	40	43	262	1780	1.1	1.7		
	50	35	300	2390	1.3	1.9		
60	29	2290		1.1	1.6			
.33	7.5	233	133	243	3.1	1.0	56C	
	10	175		254	2.5	.82		
	15	116		282	1.9	.64		
	20	87		309	1.7	.55		
	25	70		299	1.3	.45		
	30	58		304	1.2	.40		
	40	43		499	1.7	.56		
	50	35		154	474	1.4		.46
60	29	445	1.2		.39			
2.0	7.5	233	206	664	1.4	2.8	56C/ 140TC	
	10	175		773	1.2	2.5		
	15	116		1265	1.4	2.8		
	20	87		1364	1.2	2.3		
	25	70	237	1396	1.0	2.0		
	30	58		262	1808	1.1		2.1
	40	43	300	2378	1.1	2.3		
	50	35		2390	1.0	2.0		
60	29	325	3143	1.0	2.1			
.50	7.5	233	133	243	2.1	1.0	56C	
	10	175		254	1.6	.82		
	15	116		282	1.3	.64		
	20	87		309	1.1	.55		
	25	70		154	483	1.5		.75
	30	58			460	1.3		.63
	40	43		499	1.1	.56		
	50	35		175	610	1.0		.52
60	29	206	902	1.3	.67			
3.0	7.5	233	237	955	1.3	4.0	180TC	
	10	175		1125	1.2	3.6		
	15	116		1668	1.2	3.6		
	20	87		1763	1.0	3.0		
	25	70	262	2426	1.1	3.4		
	30	58		300	3097	1.2		3.6
	40	43	325	3171	1.0	3.0		
	50	35		N/A				
60	29	N/A						
.75	7.5	233	133	243	1.4	1.0	56C	
	10	175		254	1.1	.82		
	15	116		429	1.3	1.0		
	20	87		154	497	1.2		.92
	25	70			483	1.0		.75
	30	58		175	591	1.0		.74
	40	43		206	932	1.2		.92
	50	35			931	1.0		.77
60	29	237	1350	1.3	.97			
5.0	7.5	233	262	1186	1.0	5.0	180TC	
	10	175		1956	1.2	6.2		
	15	116		300	2236	1.0		5.0
	20	87		325	3136	1.0		5.2
	25	70	N/A					
	30	58						
	40	43						
	50	35						
60	29							
1.0	7.5	233	133	243	1.0	1.0	56C	
	10	175	154	386	1.3	1.3		
	15	116		429	1.0	1.0		
	20	87	175	605	1.0	1.0		
	25	70	206	925	1.3	1.3		
	30	58		946	1.1	1.1		
	40	43	237	1376	1.3	1.3		
	50	35		1375	1.1	1.1		
60	29	262	1733	1.2	1.2			
7.5	7.5	233	325	2143	1.2	8.9	210TC	
	10	175		2592	1.1	8.1		
	15	116						
	20	87						
	25	70	N/A					
	30	58						
	40	43						
	50	35						
60	29							

## “QUICK REFERENCE” DIMENSIONS



Coming Q1 2021

### GENERAL DIMENSIONS (for 'B' and 'BQ' Style Reducers)\*

SIZE	A	AC	B	BB	BD	BE	BF	CD	H	HL	LL	Z	L	SOLID OUTPUT SHAFT			
														S	LS	KEYWAY	LW
133	2.12	4.00	6.03	4.00	2.80	2.00	3.25	1.33	4.66	1.60	1.72	5/16-18	0.50	0.625	2.00	3/16 x 3/32	1.311
154	2.75	4.88	6.76	4.31	2.43	2.75	4.19	1.54	5.38	1.93	1.91	5/16-18	0.50	0.750	1.77	3/16 x 3/32	1.25
175	2.76	5.04	6.75	4.31	3.43	2.75	4.19	1.75	5.75	1.94	2.06	5/16-18	0.60	0.875	1.88	3/16 x 3/32	1.378
206	3.00	5.87	7.28	4.69	3.8	2.874	5.00	2.063	6.37	2.03	2.28	3/8-16	0.60	1.000	2.00	1/4 x 1/8	1.75
237	3.50	6.65	7.88	5.079	4.09	2.88	5.00	2.375	6.94	2.07	2.50	3/8-16	0.60	1.125	2.37	1/4 x 1/8	2.00
262	3.69	7.17	8.76	5.63	4.45	3.38	6.38	2.625	8.00	2.44	2.94	3/8-16	0.60	1.125	2.50	1/4 x 1/8	2.00
300	4.50	8.12	10.25	6.75	5.25	4.00	7.00	3.00	8.88	2.63	3.25	7/16-14	0.79	1.250	3.25	1/4 x 1/8	2.25
325	4.50	8.90	10.87	7.06	5.39	4.00	7.50	3.25	9.37	2.63	3.50	7/16-14	0.79	1.375	3.244	5/16 x 5/32	2.874

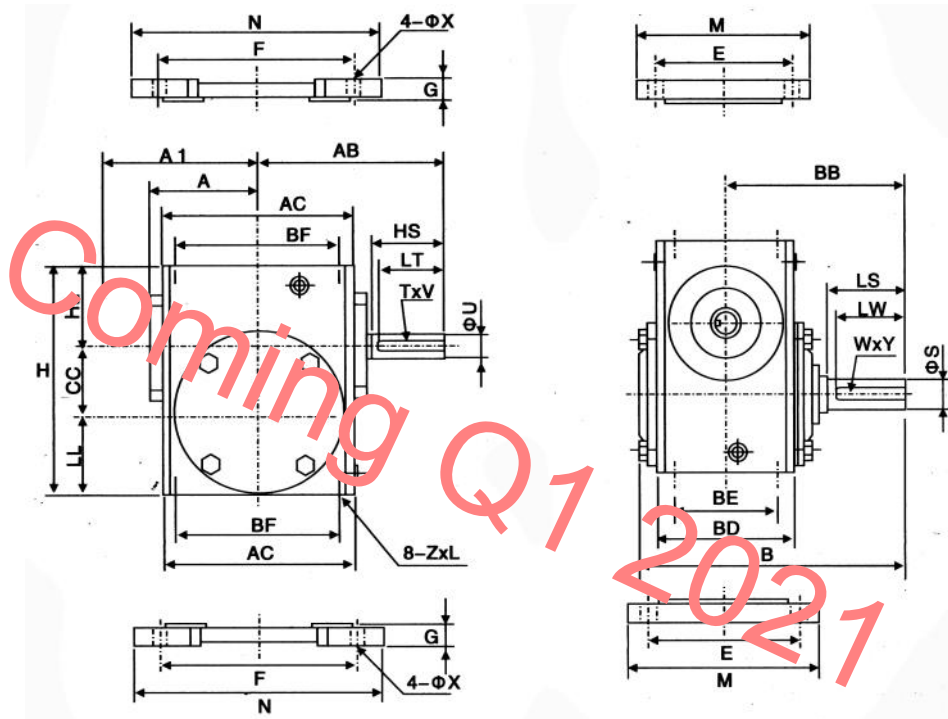
### QUILL / FLANGE INPUT DIMENSIONS\*

SIZE	FRAME	AB	LA	LB	LC	LE	LZ	INPUT		BORE	KEYWAY	S	LS	KEYWAY	LW
								BORE	KEYWAY						
133	56C	3.94	5.875	4.50	6.54	0.20	0.41	0.625	3/16 x 3/32	0.625	3/16 x 3/32	0.625	2.00	3/16 x 3/32	1.311
								0.875	1/4 x 1/8						
								1.125	1/4 x 1/8						
154	56C	4.50	5.875	4.50	6.50	0.20	0.41	0.625	3/16 x 3/32	0.750	3/16 x 3/32	0.750	1.77	3/16 x 3/32	1.25
								0.875	1/4 x 1/8						
								1.125	1/4 x 1/8						
175	56C	4.15	5.875	4.50	6.60	0.18	0.41	0.625	3/16 x 3/32	0.875	3/16 x 3/32	0.875	1.88	3/16 x 3/32	1.378
								0.875	1/4 x 1/8						
								1.125	1/4 x 1/8						
206	56C	4.51	5.875	4.50	6.60	0.18	0.41	0.625	3/16 x 3/32	1.000	3/16 x 3/32	1.000	2.00	1/4 x 1/8	1.75
								0.875	1/4 x 1/8						
								1.125	1/4 x 1/8						
237	56C	5.00	5.875	4.50	6.5	0.20	0.41	0.625	3/16 x 3/32	1.125	3/16 x 3/32	1.125	2.37	1/4 x 1/8	2.00
								0.875	1/4 x 1/8						
								1.125	1/4 x 1/8						
262	56C	4.15	5.875	4.50	6.60	0.18	0.41	0.625	3/16 x 3/32	0.625	3/16 x 3/32	0.625	2.00	3/16 x 3/32	1.378
								0.875	1/4 x 1/8						
								1.125	1/4 x 1/8						
300	56C	4.51	5.875	4.50	6.60	0.18	0.41	0.625	3/16 x 3/32	1.250	3/16 x 3/32	1.250	3.25	1/4 x 1/8	2.25
								0.875	1/4 x 1/8						
								1.125	1/4 x 1/8						
325	56C	4.51	5.875	4.50	6.60	0.18	0.41	0.625	3/16 x 3/32	1.375	3/16 x 3/32	1.375	3.244	5/16 x 5/32	2.874
								0.875	1/4 x 1/8						
								1.125	1/4 x 1/8						



# RIGHT ANGLE GEAR REDUCERS

## “QUICK REFERENCE” DIMENSIONS



### GENERAL DIMENSIONS (for 'B' and 'BQ' Style Reducers)\*

SIZE	A	AC	B	BB	BD	BE	BF	CD	H	HL	LL	Z	L	SOLID OUTPUT SHAFT			
														S	LS	YxW	LW
133	2.12	4.00	6.03	4.00	2.80	2.00	3.25	1.33	4.66	1.60	1.72	5/16-18	0.50	0.625	2.00	3/16 x 3/32	1.311
154	2.75	4.88	6.76	4.31	2.43	2.75	4.19	1.54	5.38	1.93	1.91	5/16-18	0.50	0.750	1.77	3/16 x 3/32	1.25
175	2.76	5.04	6.75	4.31	3.43	2.75	4.19	1.75	5.75	1.94	2.06	5/16-18	0.60	0.875	1.88	3/16 x 3/32	1.378
206	3.00	5.87	7.28	4.69	3.8	2.874	5.00	2.063	6.37	2.03	2.28	3/8-16	0.60	1.000	2.00	1/4 x 1/8	1.75
237	3.50	6.65	7.88	5.079	4.09	2.88	5.00	2.375	6.94	2.07	2.50	3/8-16	0.60	1.125	2.37	1/4 x 1/8	2.00
262	3.69	7.17	8.76	5.63	4.45	3.38	6.38	2.625	8.00	2.44	2.94	3/8-16	0.60	1.125	2.50	1/4 x 1/8	2.00
300	4.50	8.12	10.25	6.75	5.25	4.00	7.00	3.00	8.88	2.63	3.25	7/16-14	0.79	1.250	3.25	1/4 x 1/8	2.25
325	4.50	8.90	10.87	7.06	5.39	4.00	7.50	3.25	9.37	2.63	3.50	7/16-14	0.79	1.375	3.244	5/16 x 5/32	2.874

### SOLID INPUT DIMENSIONS\*

SIZE	AB	INPUT SHAFT			
		U	HS	T x V	LT
133	4.03	0.500	1.81	1/8 x 1/16	1.38
154	4.69	0.625	1.69	3/16 x 3/32	0.94
175	4.69	0.625	1.81	3/16 x 3/32	1.50
206	5.06	0.625	1.81	3/16 x 3/32	1.50
237	5.44	0.750	1.94	3/16 x 3/32	1.31
262	6.23	0.750	2.31	3/16 x 3/32	1.88
300	7.00	0.875	2.26	3/16 x 3/32	1.31
325	7.06	0.875	2.31	3/16 x 3/32	1.65

### HORIZONTAL BASE DIMENSIONS\*

SIZE	E	F	M	N	G	X
133	3.31	4.38	4.32	5.38	0.53	0.34
154	4.31	5.25	5.44	6.44	0.59	0.41
175	4.50	5.75	5.56	7.00	0.69	0.41
206	4.69	6.38	6.02	7.69	0.72	0.47
237	4.88	7.06	6.19	8.50	0.75	0.49
262	5.25	8.00	6.50	9.25	0.75	0.53
300	5.88	8.44	7.36	10.16	0.75	0.53
325	6.13	9.50	7.74	11.12	0.88	0.53



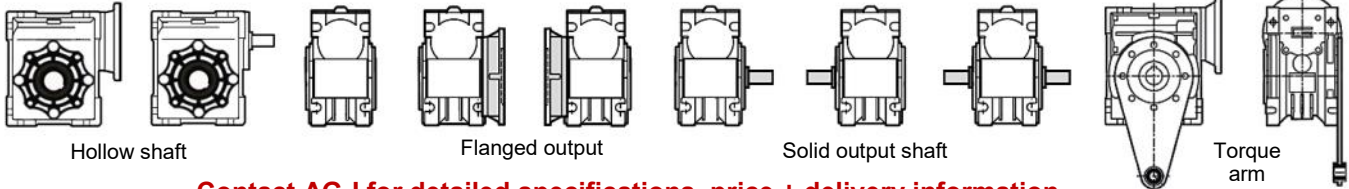
# RV Right Angle Worm Gear Reducers - Aluminum Housing



- Universal mount
- Light weight
- High tensile strength
- Compact size
- Standard sizes 030 thru 150



### Standard configurations available



Hollow shaft

Flanged output

Solid output shaft

Torque arm

Contact AG-I for detailed specifications, price + delivery information

SIZE	BORE SIZE	RATIOS	INPUTS	OUTPUTS	MOUNT	ACCESSORIES
<b>Aluminum housing</b>				Hollow output—standard		
030	.625 in.	7.5	<b>NEMA</b> 48 56C 140TC 180TC 210TC 250TC	Single or double output with plug-in shaft	B3 B6 B7 B8 V5 V6	Single output shaft Double output shaft Torque arm Output Flange
040	.75 in.	10				
050	1.0 in.	15				
063	1.125 in.	20				
075	1.25 in.	25				
090	1.375 in.	30				
090	1.375 in.	40				
<b>Cast iron housing</b>				Output flange mount		
110	1.625 in.	50		Output flange mount with hollow output shaft		
130	1.75 in.	60				
150	2.0 in.	80				
		100				

## OTHER GEAR PRODUCTS AVAILABLE

Contact AG-I for detailed specifications, price + delivery information



**WP Series—Cast Iron**  
Sizes 40 thru 250  
Ratios 10:1 thru 60:1  
.18kW to 15 kW  
.25 HP to 20.0 HP



**ER Series IEC Helical Gear**

**Contact  
AG-I MotorTec  
for custom  
NEMA or IEC  
gear and motor  
requirements**